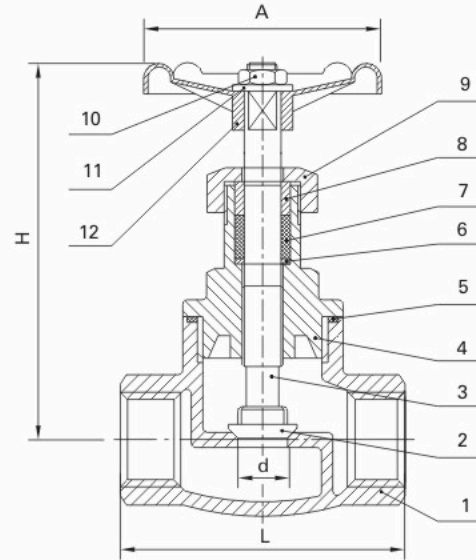


GLOBE VALVE

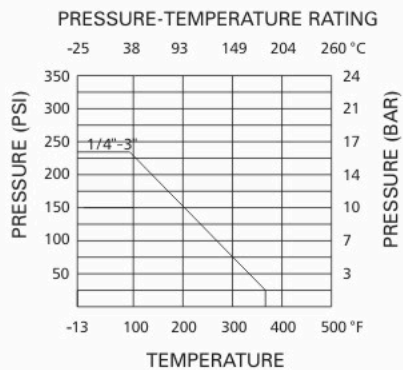
截止阀



MV-61

- 螺纹标准: ISO, BS, DIN, JIS, ASME
- 公称压力: 200PSI (PN16)
- 工作温度: $-25^{\circ}\text{C} \sim +180^{\circ}\text{C}$
- 材 料: CF8M, CF8, CF3M

- Investment casting for body
- Thread: ISO, BS, DIN, JIS, ASME
- Pressure rating: 200PSI (PN16)
- Working temperature: $-25^{\circ}\text{C} \sim +180^{\circ}\text{C}$
- Material: CF8M, CF8, CF3M



MATERIAL LIST

| ITEM | PART | MATERIAL | QTY. |
|------|--------------|-----------|------|
| 1 | Body | CF8M | 1 |
| 2 | Petal | SS316 | 1 |
| 3 | Stem | SS316 | 1 |
| 4 | Cap | CF8M | 1 |
| 5 | Gasket | PTFE | 1 |
| 6 | Plate Washer | SS316 | 1 |
| 7 | Stem Packing | PTFE | 1 |
| 8 | Stem Ring | SS316 | 1 |
| 9 | Gland | SS304 | 1 |
| 10 | Wheel Nut | SS304 | 1 |
| 11 | Plate | SS304 | 1 |
| 12 | Hand Wheel | CAST IRON | 1 |

DIMENSION LIST

| SIZE | d | L | H | A | Kgs |
|--------|----|-----|-----|-----|------|
| 1/4" | 10 | 55 | 79 | 65 | 0.36 |
| 3/8" | 12 | 55 | 79 | 65 | 0.35 |
| 1/2" | 15 | 67 | 79 | 65 | 0.37 |
| 3/4" | 20 | 75 | 91 | 77 | 0.49 |
| 1" | 25 | 85 | 106 | 77 | 0.66 |
| 1-1/4" | 32 | 101 | 125 | 97 | 1.16 |
| 1-1/2" | 40 | 115 | 136 | 97 | 1.44 |
| 2" | 50 | 136 | 146 | 97 | 2.16 |
| 2-1/2" | 65 | 165 | 177 | 126 | 4.25 |
| 3" | 80 | 190 | 197 | 126 | 5.92 |