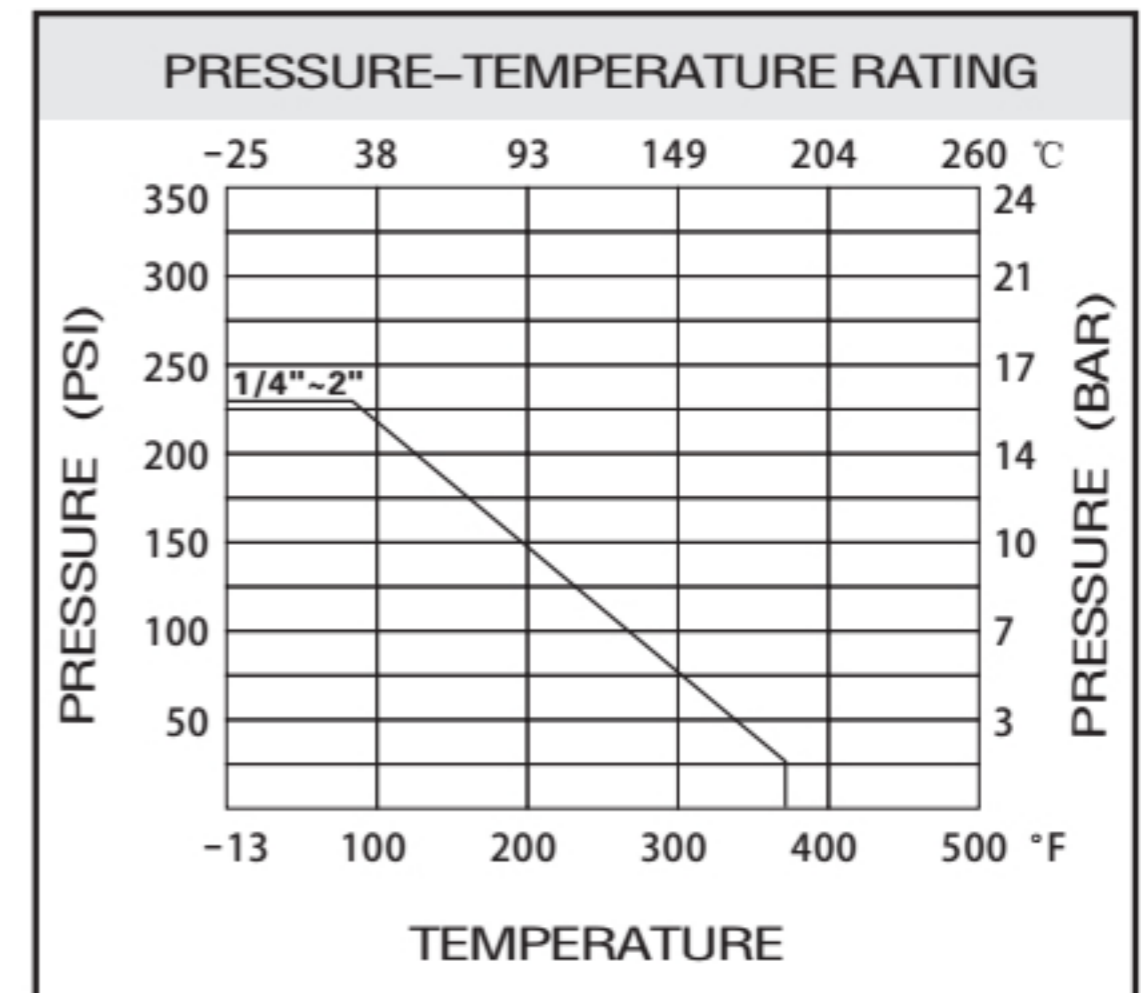
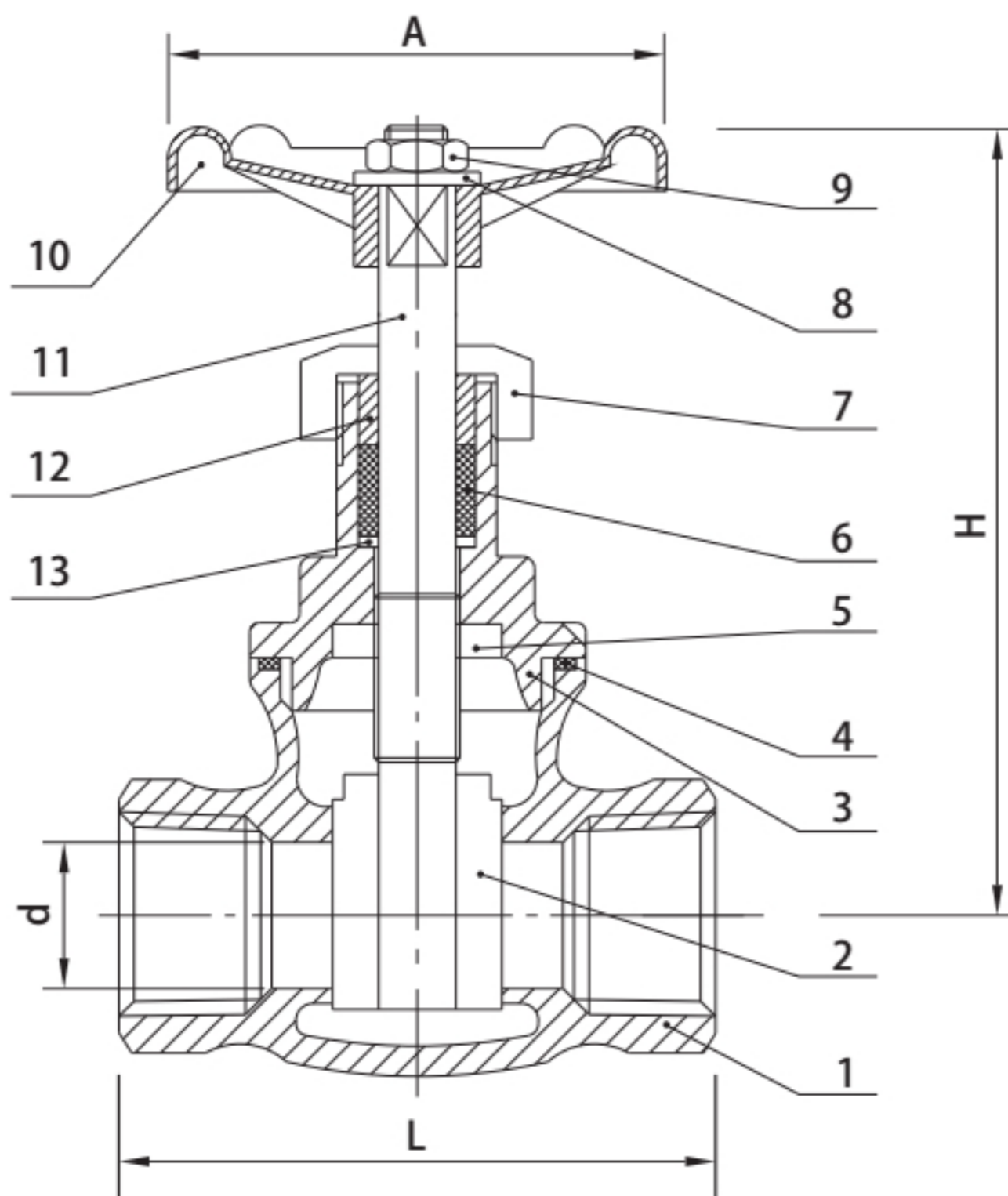




MV-71

Gate Valve

- Investment casting for body
 - Threaded ends: ANSI B2.1, BS21, ISO7 / 1
 - Pressure rating : 200 PSI (PN16)
 - Working temperature: -25°C +180°C
 - Material: CF8M, CF8, CF3M
-
- 精密铸造闸阀
 - 螺纹标准：ANSI B2.1, BS21, ISO7 / 1
 - 公称压力：200 PSI(PN16)
 - 工作温度：-25°C +180°C
 - 材 料：CF8M, CF8, CF3M



DIMENSION LIST

SIZE	d	L	H	A	Kgs
1/4"	10	42	98	65	0.31
3/8"	12	42	98	65	0.30
1/2"	15	53	98	65	0.40
3/4"	20	57	104	77	0.52
1"	25	64	115	77	0.69
1-1/4"	32	73	125	97	1.07
1-1/2"	40	76	137	97	1.36
2"	50	88	160	97	2.08

MATERIAL LIST

ITEM	PART	MATERIAL	QTY
1	Body	CF8M	1
2	Disc	CF8M	1
3	Bonnet	CF8M	1
4	Gasket	PTFE	1
5	Snap Washer	SS316	1
6	Packing	PTFE	1
7	Packing Nut	SS316	1
8	Washer	SS304	1
9	Wheel Nut	SS304	1
10	Hand Wheel	Alumnum Alloy	1
11	Stem	SS316	1
12	Gland	SS304	1
13	Snap Washer	SS304	1