

M 3-PC. BUTT WELD END BALL VALVE

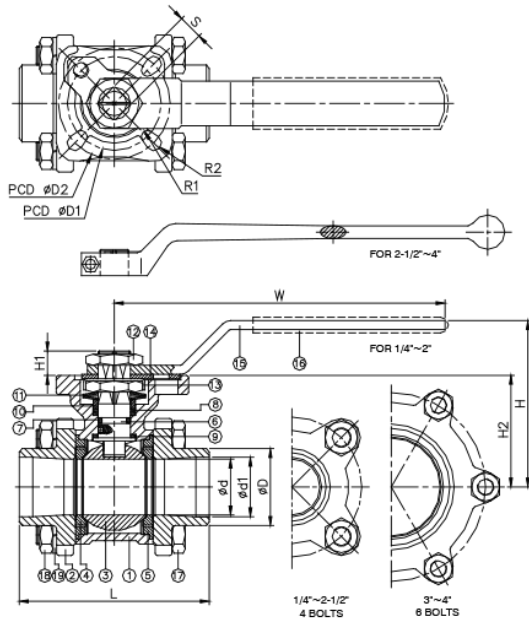
2012ND

FEATURES



- Full port, 1/4"~4" (DN8~DN100)
- W.P. : 1000 WOG (PN63)
- W.T. : -20°C~200°C (-4°F~392°F)
- Investment casting
- Blow-out proof stem
- Live-loading design
- Anti-static device
- Locking device
- ISO 5211 direct mounting pad
- Length conform to DIN 3202/4-M3-2012ND-M3 (option)
- ISO 15848 fugitive emission approved (option)
- Automation accessories (option)

- Butt weld ends conform to ANSI B16.25 & DIN 3239 part1



ITEM	PARTS	MATERIAL	
1	BODY	ASTM A351-CF8M	ASTM A216-WCB
2	CAP		
3	BALL	ASTM A351-CF8M	
4	SEAT	PTFE / RTFE	
5	SEAL	PTFE	
6	STEM	ASTM A276-316	
7	O-RING	VITON	
8	PACKING	PTFE	
9	THRUST WASHER	PTFE	
10	GLAND RING	AISI 304	
11	BELLEVILLE WASHER	AISI 301	
12	LOCKING WASHER		
13	LOCKING DEVICE	AISI 304	
14	STEM NUT		
15	HANDLE	STAINLESS STEEL	
16	HANDLE SLEEVE	PVC	
17	BOLT		
18	NUT	AISI 304	
19	SPRING WASHER		

DN	d	d1	D	L	H	H1	H2	W	S	D1	D2	R1	R2	ISO 5211	Torque (N-M)	Weight (kg)
8	9.3	-	14.7	65	61	7.5	35.3	114.5	9	36	42	2.75	2.75	F03/F04	7	-
10	12.5	-	18.1	65	61	7.5	35.3	114.5	9	36	42	2.75	2.75	F03/F04	7	-
15	15	15.8	22.3	65	62.7	7.1	36.4	114.5	9	36	42	2.75	2.75	F03/F04	7	0.6
20	20	20.9	27.7	75	65.1	7.3	39.5	114.5	9	36	42	2.75	2.75	F03/F04	9	0.7
25	25	26.6	34.4	85	76.5	11	49	140	11	42	50	2.75	3.5	F04/F05	15	1.1
32	32	35.1	43.2	101	82	9.5	54.2	140	11	42	50	2.75	3.5	F04/F05	18	1.1
40	38	40.9	49.3	112	102	12.4	64.6	172	14	50	70	3.5	4.5	F05/F07	25	2.6
50	50	52.5	61.5	130	110.1	13.6	72.5	172	14	50	70	3.5	4.5	F05/F07	35	3.7
65	63	62.7	74.5	162	127.3	16.3	92	325	17	70	102	4.5	5.5	F07/F10	55	7.2
80	76	77.9	91	188	136.3	16.3	100	325	17	70	102	4.5	5.5	F07/F10	70	10.1
100	96	102	115.5	224	142.5	20.5	130	325	22	102	125	5.5	6.5	F10/F12	90	19.3

unit:mm

NPS	d	d1	D	L	H	H1	H2	W	S	D1	D2	R1	R2	ISO 5211	Torque (in-lb)	Weight (lb)
1/4"	0.37	-	0.58	2.56	2.4	0.3	1.39	4.51	0.35	1.42	1.65	0.11	0.11	F03/F04	62	-
3/8"	0.49	-	0.71	2.56	2.4	0.3	1.39	4.51	0.35	1.42	1.65	0.11	0.11	F03/F04	62	-
1/2"	0.59	0.62	0.88	2.56	2.47	0.28	1.43	4.51	0.35	1.42	1.65	0.11	0.11	F03/F04	62	1.2
3/4"	0.79	0.82	1.09	2.95	2.56	0.29	1.56	4.51	0.35	1.42	1.65	0.11	0.11	F03/F04	79.7	1.6
1"	0.98	1.05	1.35	3.35	3.01	0.43	1.93	5.51	0.43	1.65	1.97	0.11	0.14	F04/F05	132.8	2.4
1-1/4"	1.26	1.38	1.7	3.98	3.23	0.37	2.13	5.51	0.43	1.65	1.97	0.11	0.14	F04/F05	159.3	2.5
1-1/2"	1.5	1.61	1.94	4.41	4.02	0.49	2.54	6.77	0.55	1.97	2.76	0.14	0.18	F05/F07	221.3	5.7
2"	1.97	2.07	2.42	5.12	4.33	0.54	2.85	6.77	0.55	1.97	2.76	0.14	0.18	F05/F07	309.8	8.2
2-1/2"	2.48	2.47	2.93	6.38	5.01	0.64	3.62	12.8	0.67	2.76	4.02	0.18	0.22	F07/F10	486.8	15.9
3"	2.99	3.07	3.58	7.4	5.37	0.64	3.94	12.8	0.67	2.76	4.02	0.18	0.22	F07/F10	619.5	22.3
4"	3.78	4.02	4.55	8.82	5.61	0.81	5.12	12.8	0.87	4.02	4.92	0.22	0.26	F10/F12	796.6	42.5

unit:in