

# V-VALFLOW

## SINGLE DISC WAFER CHECK VALVE

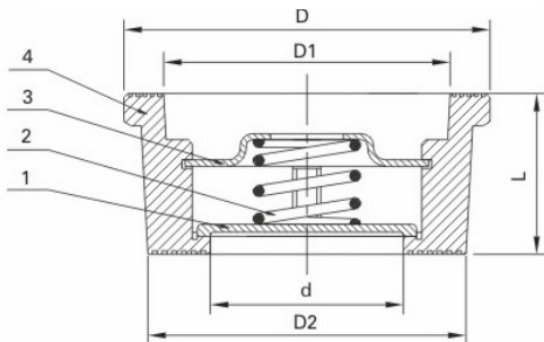
**MV-53**



- Investment casting for body and disc
- Flanged ends: DIN EN1092-1 PN10~PN40  
ANSI B16.5 Class150~Class300
- Face to face: DIN3202-K4
- Pressure rating: PN40
- Working temperature: -25°C~+240°C
- Material: CF8M, CF8, CF3M

### MATERIAL LIST

ITEM	PART	MATERIAL	QTY.
1	Body	CF8M	1
2	Spring Cover	SS316	1
3	Spring	SS316	1
4	Disc	CF8M	1



### DIMENSION LIST

SIZE	d	D	D1	D2	L	Kgs
DN15	15	39	28.5	32	16	0.09
DN20	20	46	36.2	40	19	0.12
DN25	25	54	43.3	46	21	0.16
DN32	32	70	56	60	27	0.31
DN40	40	83	68.5	72	31	0.43
DN50	49	96	80.5	84	40	0.78
DN65	62	115	99	103	46	1.03
DN80	75	135	117	123	50	1.54
DN100	85	153	135	140	60	2.25
DN125	118	187	160	177	90	5.50
DN150	140	217	187	205	106	8.30
DN200	185	274	240	261	140	16.10

