



SINGLE DISC WAFER CHECK VALVE (DIN)

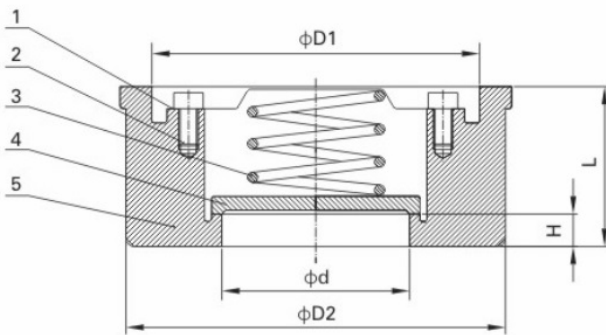
MV-52



- Investment casting for body and disc
- Flanged ends: DIN2543, 2544, 2545
- Face to face: DIN3202-K4
- Pressure rating: PN40
- Material: CF8M, CF8, CF3M

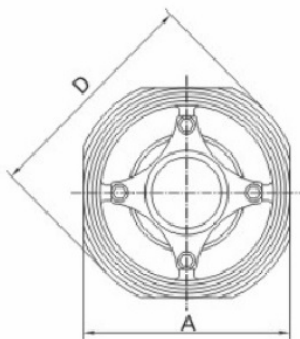
MATERIAL LIST

ITEM	PART	MATERIAL	QTY.
1	Spring Cover	SS316	1
2	Screw Pin	SS316	4
3	Spring	SS316	1
4	Disc	CF8M	1
5	Body	CF8M	1



DIMENSION LIST

SIZE	d	D	D1	D2	C	L	H	Kgs
DN15	15	53	38	43	45	16.5	4.4	0.11
DN20	20	63	46.5	53	55	19.5	4.8	0.19
DN25	25	73	55.5	63	65	22	5.4	0.30
DN32	30	84	65	75	78	28	6.0	0.40
DN40	38	94	75	86	88	31.5	6.6	0.60
DN50	47	107	84	96	98	40	7.1	0.88
DN65	62.5	126	103	115	118	46	7.8	1.26
DN80	77	144	117	130	134	50	8.4	1.86
DN100	96	164	137	151	154	60	9.0	3.30



PRESSURE-TEMPERATURE RATING

