

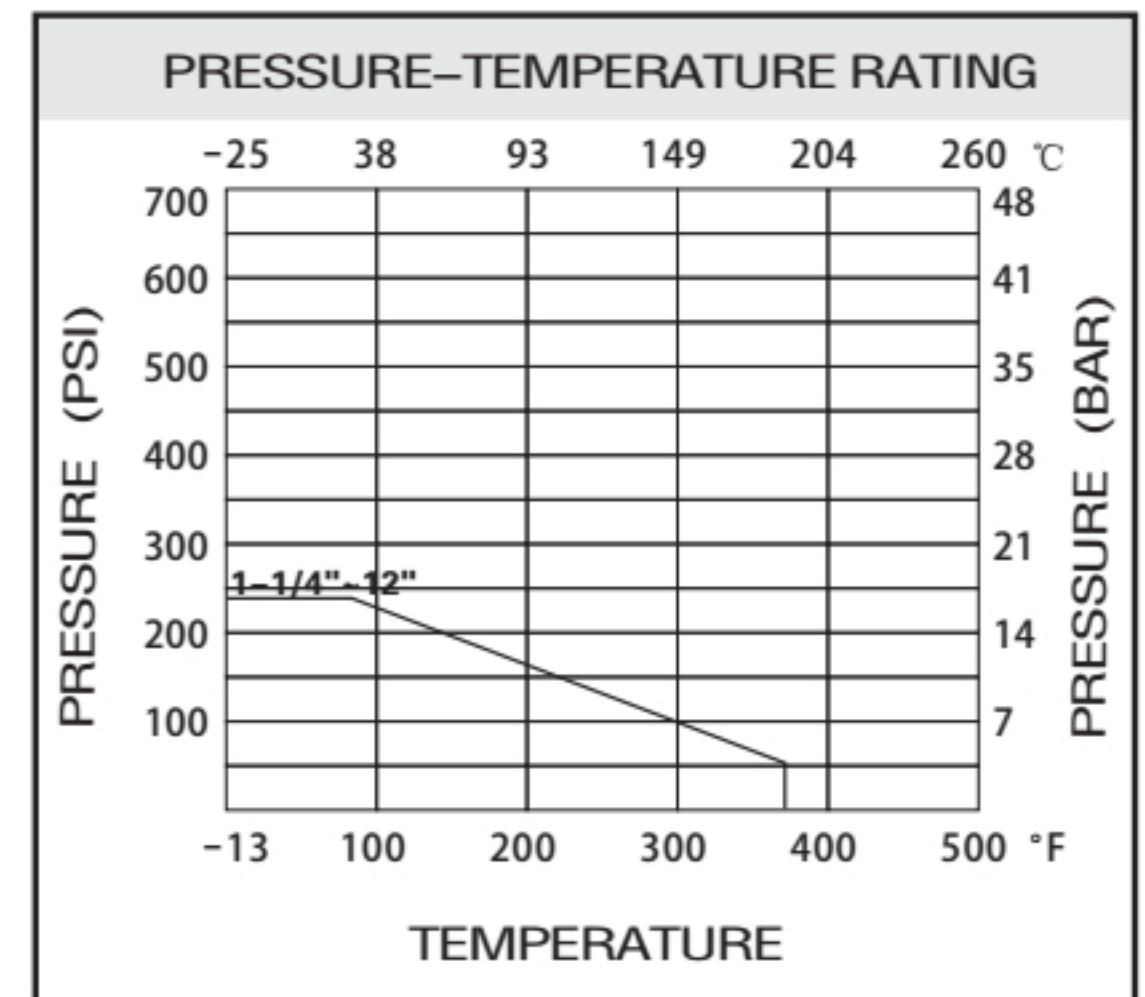
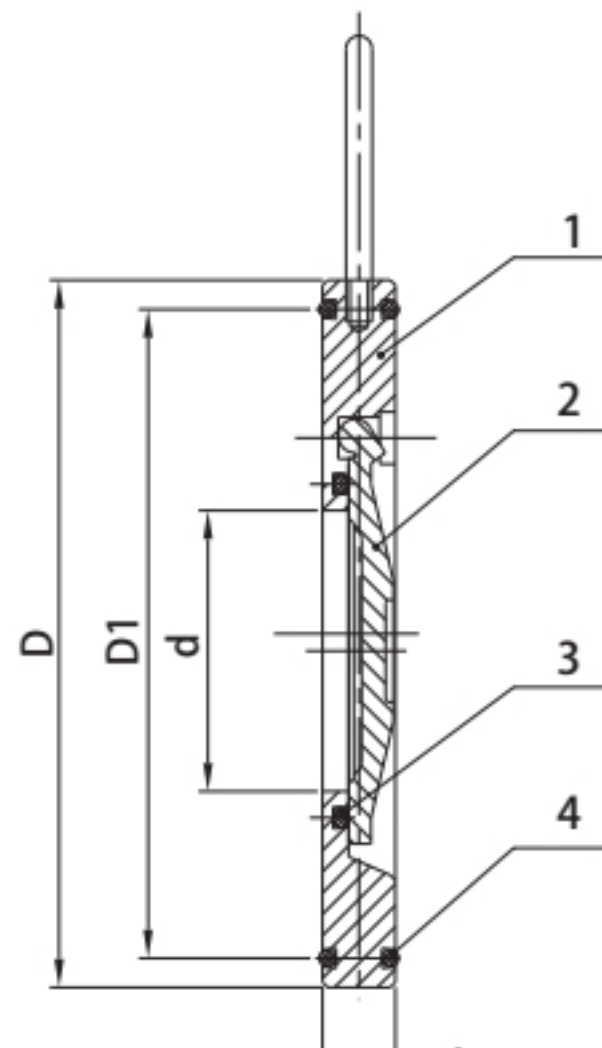
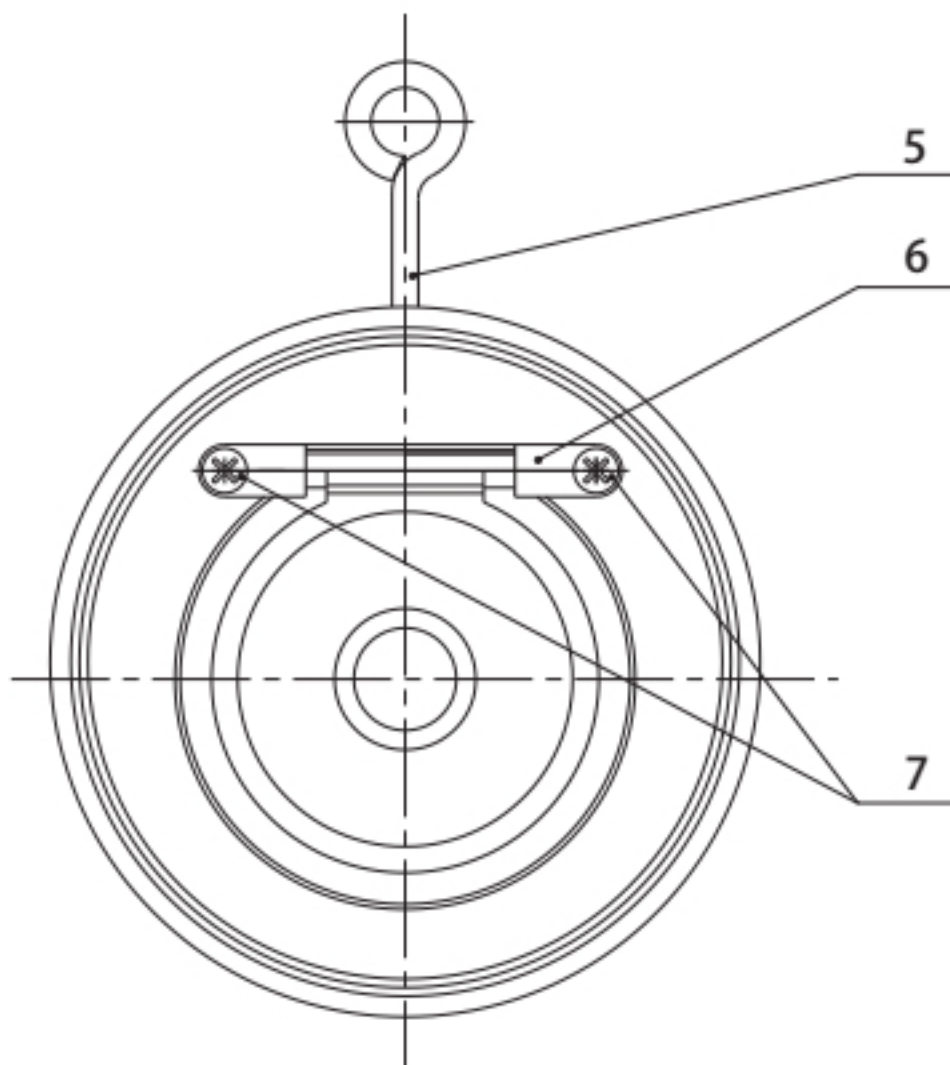


MV-54

Single Disc Wafer Check Valve

(Swing)

- Investment casting for body and disc
- Flanged ends: ANSI, DIN, JIS
- Pressure rating: PN16/ANSI 150Lb
- Working temperature: -25°C +180°C
- Material: CF8M, CF8, CF3M, WCB
- 对夹式止回阀（旋启式）
- 法兰标准：可用于美标、德标、日标
- 公称压力：PN16/ANSI 150Lb



MATERIAL LIST

ITEM	PART	MATERIAL	QTY
1	Body	CF8M	1
2	Disc	CF8M	1
3	Disk O'ring	Viton	1
4	External O'ring	Viton	2
5	Hook	SS304	1
6	Stem Stopper	SS316	2
7	Axis Screw	SS316	2

DIMENSION LIST

SIZE	d	D	D1	H	Kgs
1-1/4"	20	76	59	12	0.42
1-1/2"	25	85	68	12	0.52
2"	32	105	84	14	0.79
2-1/2"	40	124	96	14	1.10
3"	54	136	117.5	14	1.30
4"	70	164	148	18	2.26
5"	92	194	166	18	3.15
6"	114	220	197	20	4.54
8"	154	275	249	22	7.65
10"	200	330	310	26	12.63
12"	230	380	358	30	19.95