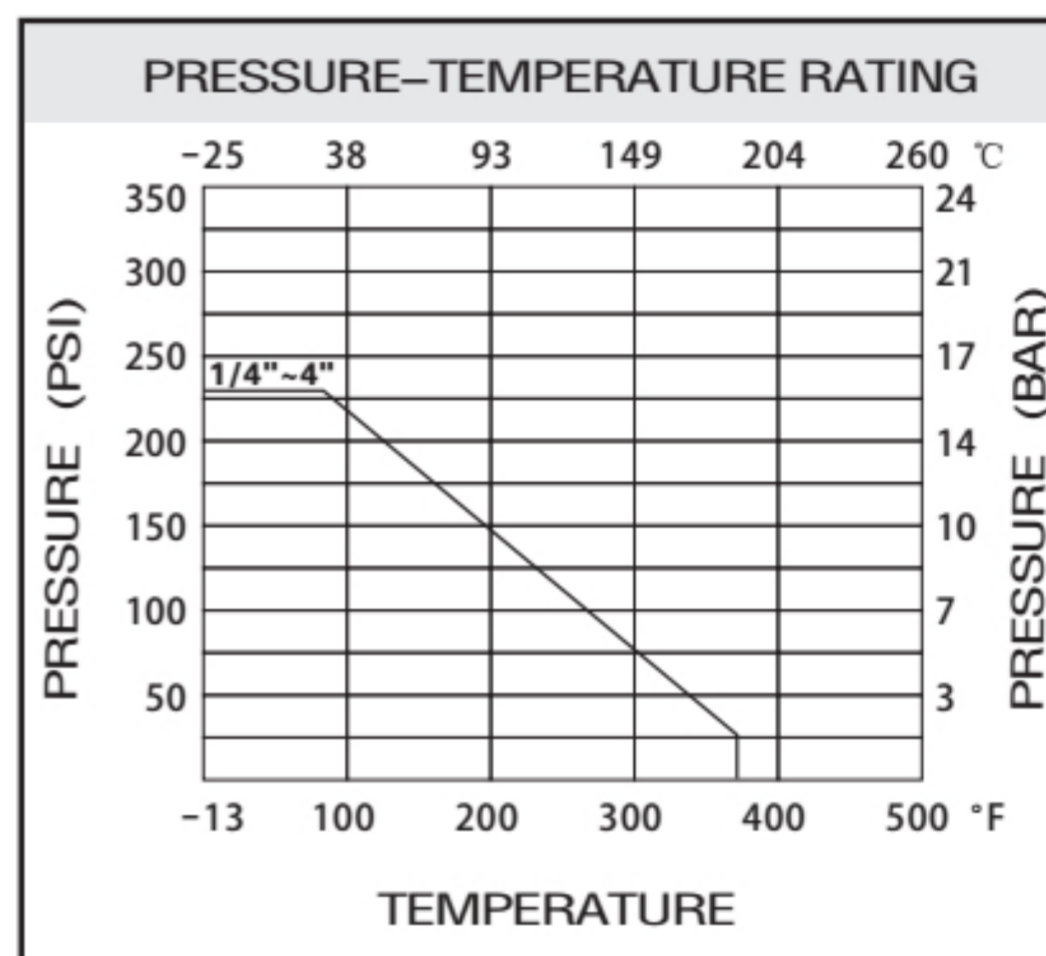
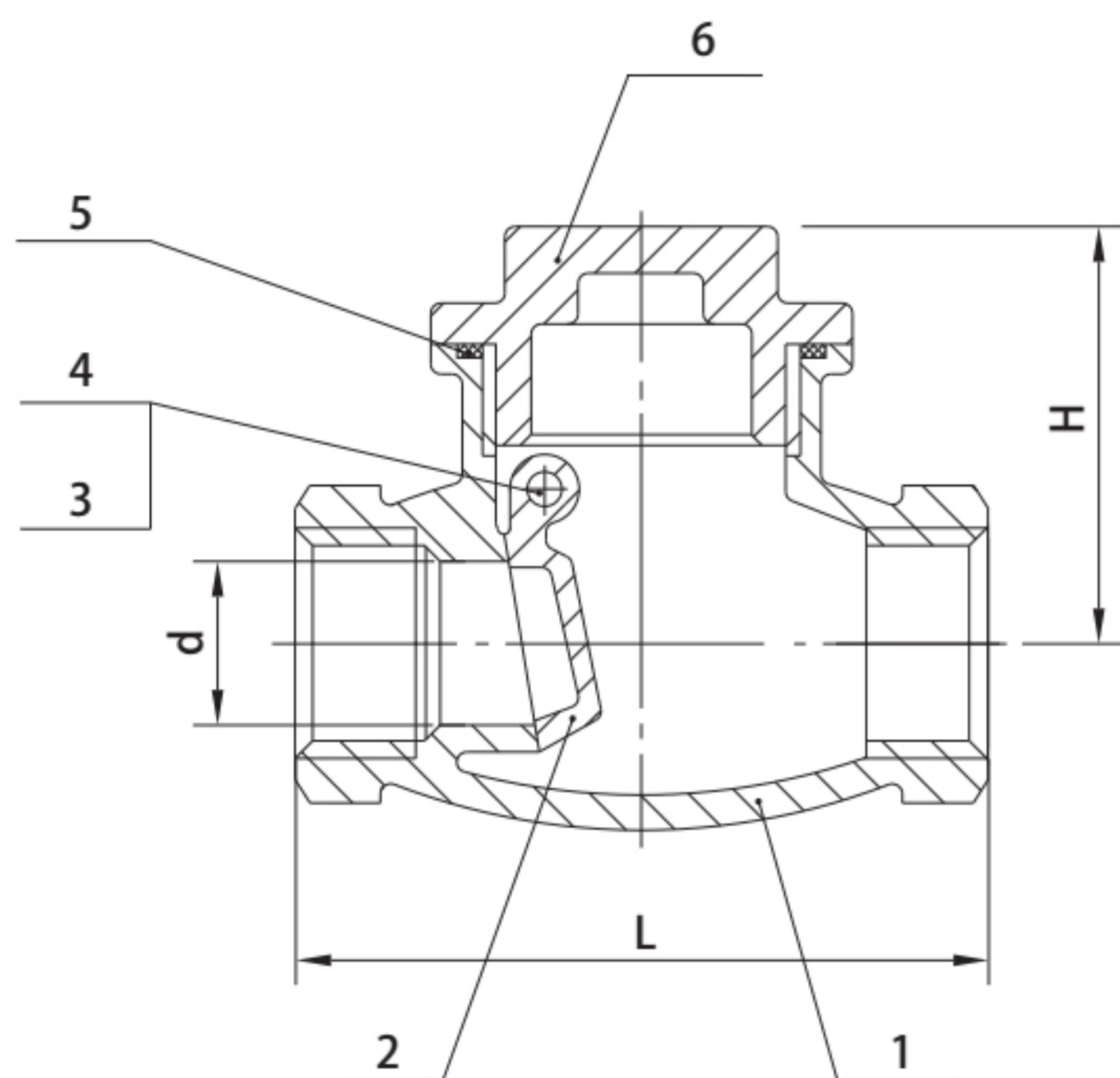




MV-51

Swing Disc Check Valve

- Investment casting for body, cap and disc
 - Threaded ends: ANSI B2.1, BS21, ISO 7 / 1
 - Pressure rating : 200 PSI (PN16)
 - Working temperature: -25°C +180°C
 - Material: CF8M, CF8, CF3M
- 精密铸造旋启式止回阀
 - 螺纹标准: ANSI B2.1, BS21, ISO 7 / 1
 - 公称压力: 200 PSI(PN16)
 - 工作温度: -25°C +180°C



MATERIAL LIST

ITEM	PART	MATERIAL	QTY
1	Body	CF8M	1
2	Disc	CF8M	1
3	Pipe Plug	SS316	1
4	Plug Gasket	PTFE	1
5	Body Gasket	PTFE	1
6	Cap	CF8M	1

DIMENSION LIST (MV- 51)

SIZE	d	L	H	Kgs
1/4"	10	63	42	0.27
3/8"	12	63	42	0.26
1/2"	15	63	42	0.23
3/4"	20	78	46	0.35
1"	25	87	50	0.54
1-1/4"	32	101	54	0.81
1-1/2"	40	115	64	1.01
2"	50	135	71	1.62
2-1/2"	64	164	94	2.94
3"	73	190	103	4.13
4"	94	240	136	9.10

DIMENSION LIST (MV- 51W)

SIZE	d	L	H	Kgs
1/4"	10	65	42	0.32
3/8"	12	65	42	0.31
1/2"	15	65	42	0.30
3/4"	20	80	50	0.43
1"	25	90	58	0.68
1-1/4"	32	105	62	1.05
1-1/2"	40	120	72	1.38
2"	50	140	81	1.98
2-1/2"	64	164	94	2.94
3"	73	190	103	4.13
4"	94	240	136	9.10