

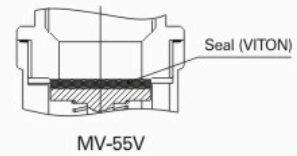
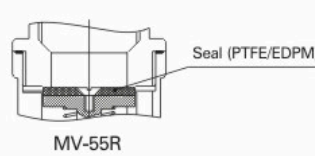
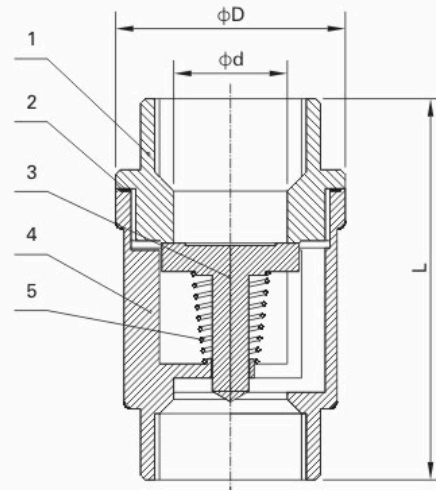
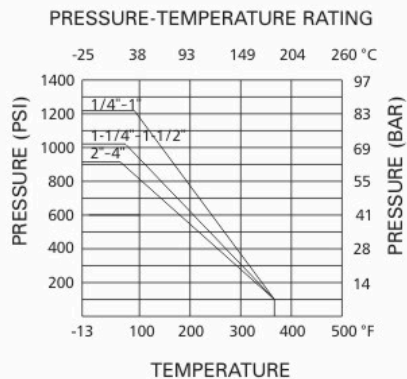
# VERTICAL SPRING CHECK VALVE



## MV-55

- ISO, BS, DIN, JIS, ASME
- 1000PSI (PN63)
- 25°C ~ +180°C
- CF8M, CF8, CF3M

- Investment casting for body, cap and disc
- Thread: ISO, BS, DIN, JIS, ASME
- Seal: Metal-to-metal / Soft
- Pressure rating: 1000PSI (PN63)
- Working temperature: -25°C ~ +180°C
- Material: CF8M, CF8, CF3M



## MATERIAL LIST

ITEM	PART	MATERIAL	QTY.
1	Cap	CF8M	1
2	Body Gasket	PTFE	1
3	Disc	CF8M	1
4	Body	CF8M	1
5	Spring	SS316	1

## DIMENSION LIST

SIZE	d	D	L	Kgs
1/4"	8	30.5	53	0.17
3/8"	10	30.5	53	0.15
1/2"	15	37	56	0.21
3/4"	20	42	63	0.29
1"	25	48	74	0.40
1-1/4"	30	58	81	0.65
1-1/2"	38	70	91	0.98
2"	47	82	97	1.40
2-1/2"	61	102.5	118	2.44
3"	75	120	138	3.80
4"	94	150	158	6.60