

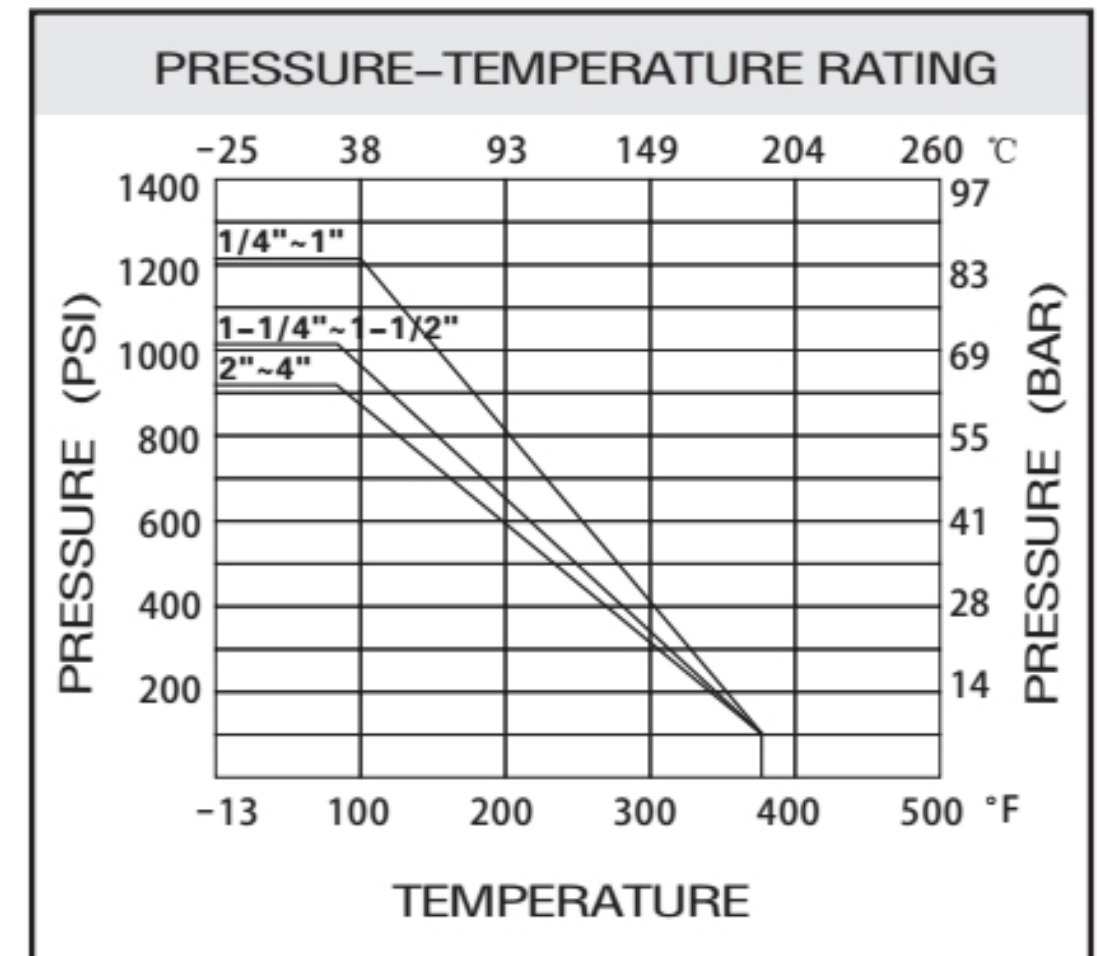
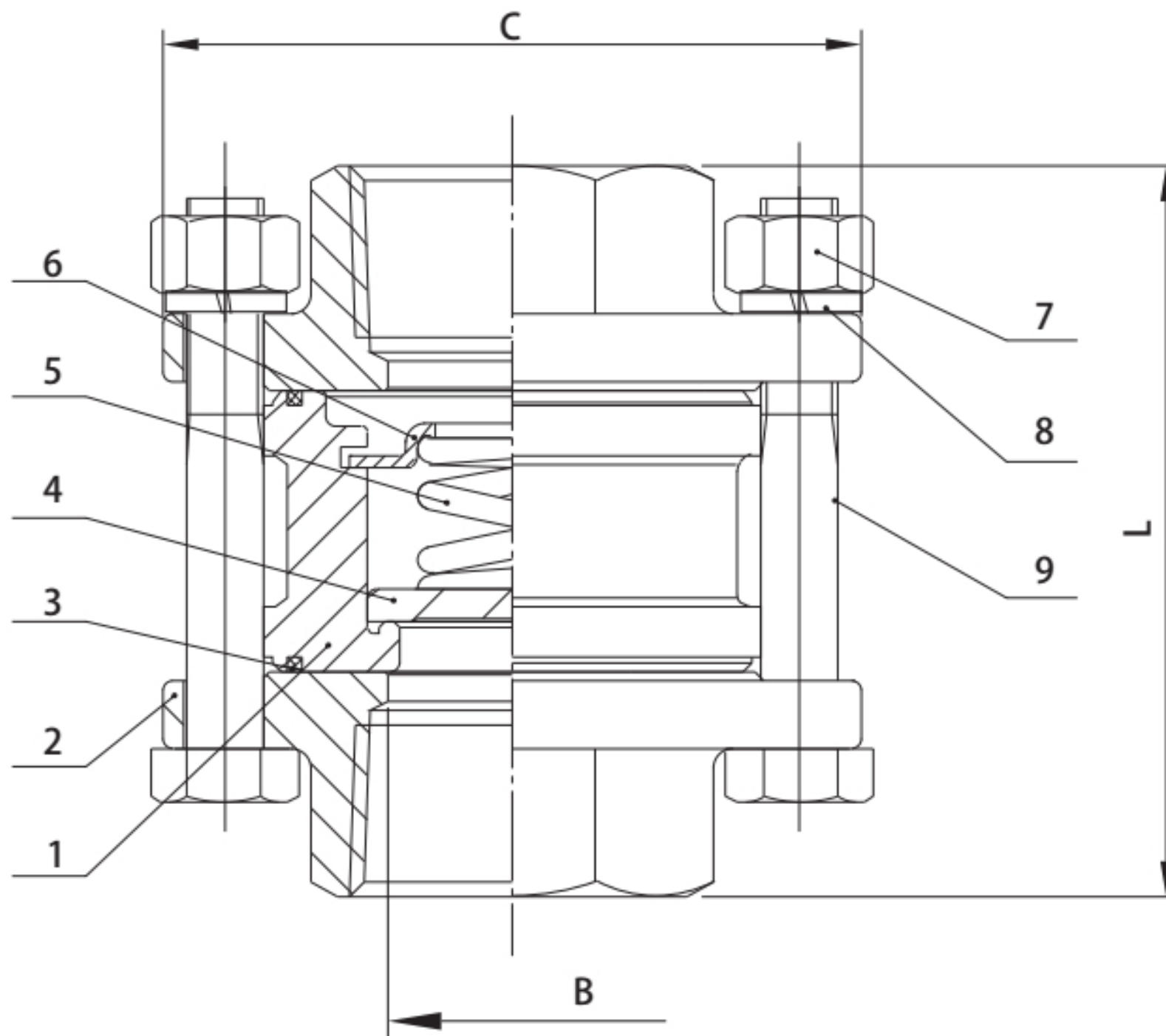


# MV-57

## 3-pc Spring Vertical Check Valve

### Valve

- Investment casting for body, cap and disc
  - Threaded ends: ANSI B2.1, BS21, ISO7/1
  - Seal: Metal-to-metal
  - Pressure rating: 1000PSI (PN63)
  - Working temperature: -25°C +180°C
  - Material: CF8M, CF8, CF3M, WCB
- 三片式立式止回阀
  - 螺纹标准: ANSI B2.1, BS21, ISO7/1
  - 密封: 金属硬密封



### DIMENSION LIST

SIZE	B	C	L	Kgs
1/4"	8	45	48.5	0.14
3/8"	10	45	48.5	0.14
1/2"	15	53.5	56.5	0.30
3/4"	20	62.5	65	0.43
1"	25	71	74	0.61
1-1/4"	32	88	83	1.00
1-1/2"	40	95	92	1.32
2"	50	117	110	2.14
2-1/2"	65	147	125.5	4.00
3"	76	167	141	5.71
4"	94	224	164	10.00

### MATERIAL LIST

ITEM	PART	MATERIAL	QTY
1	Body	CF8M	1
2	Cap	PTFE	2
3	Seal	CF8M	2
4	Disc	CF8M	1
5	Spring	SS316	1
6	Stopper	SS316	1
7	Nut	SS304	4(6)
8	Washer	SS304	4(6)
9	Bolt	SS304	4(6)