

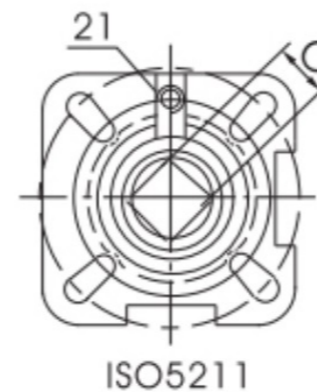
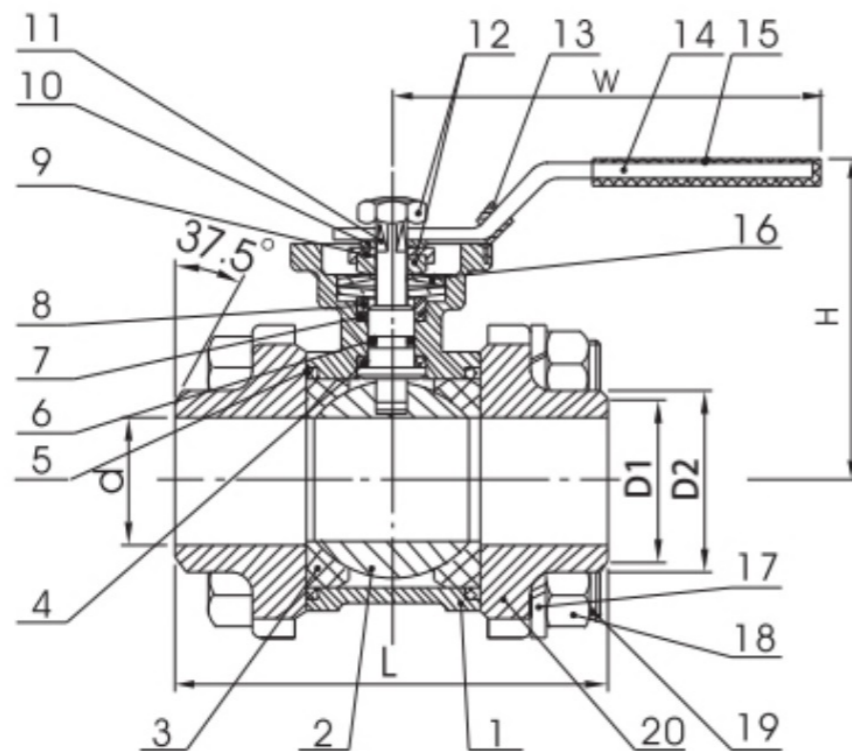
V-VALFLOW



MV-81B

3-pc Butt-Weld Ball Valve with Mounting Pad

- Investment casting for body and cap
- Full bore
- Thread: ISO, BS, DIN, JIS, ASME
- Mounting pad: ISO 5211
- Pressure rating: 1000PSI (PN63)
- Working temperature: -25°C ~ + 180°C
- Material: CF8M, CF8, CF3M, WCB



DIMENSION LIST

SIZE	d	L	H	W	D1	D2	C	ISO5211	N · m	Kgs
1/4"	11	44	59	115	13	18.1	9	F03	4	0.40
3/8"	12.5	44	59	115	13	18.1	9	F03	4	0.41
1/2"	15	54	63	117	17	21.7	9	F03/F04	5	0.45
3/4"	20	73	70	134	22	27.2	11	F04/F05	8	0.84
1"	25	80	74	134	28	34	11	F04/F05	10	1.26
1-1/4"	32	90	88	203	35	42.7	14	F05/F07	14	1.86
1-1/2"	40	102	94	203	43	48.6	14	F05/F07	18	2.70
2"	50	118	102	203	54	60.5	14	F05/F07	25	3.34
2-1/2"	65	151	140	255	70	76	17	F07/F10	48	7.00
3"	80	182	153	255	85	93	17	F07/F10	75	11.75
4"	100	218	166	302	105	116	17	F07/F10	110	19.05