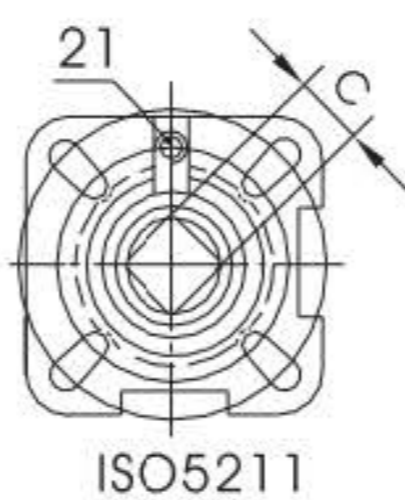
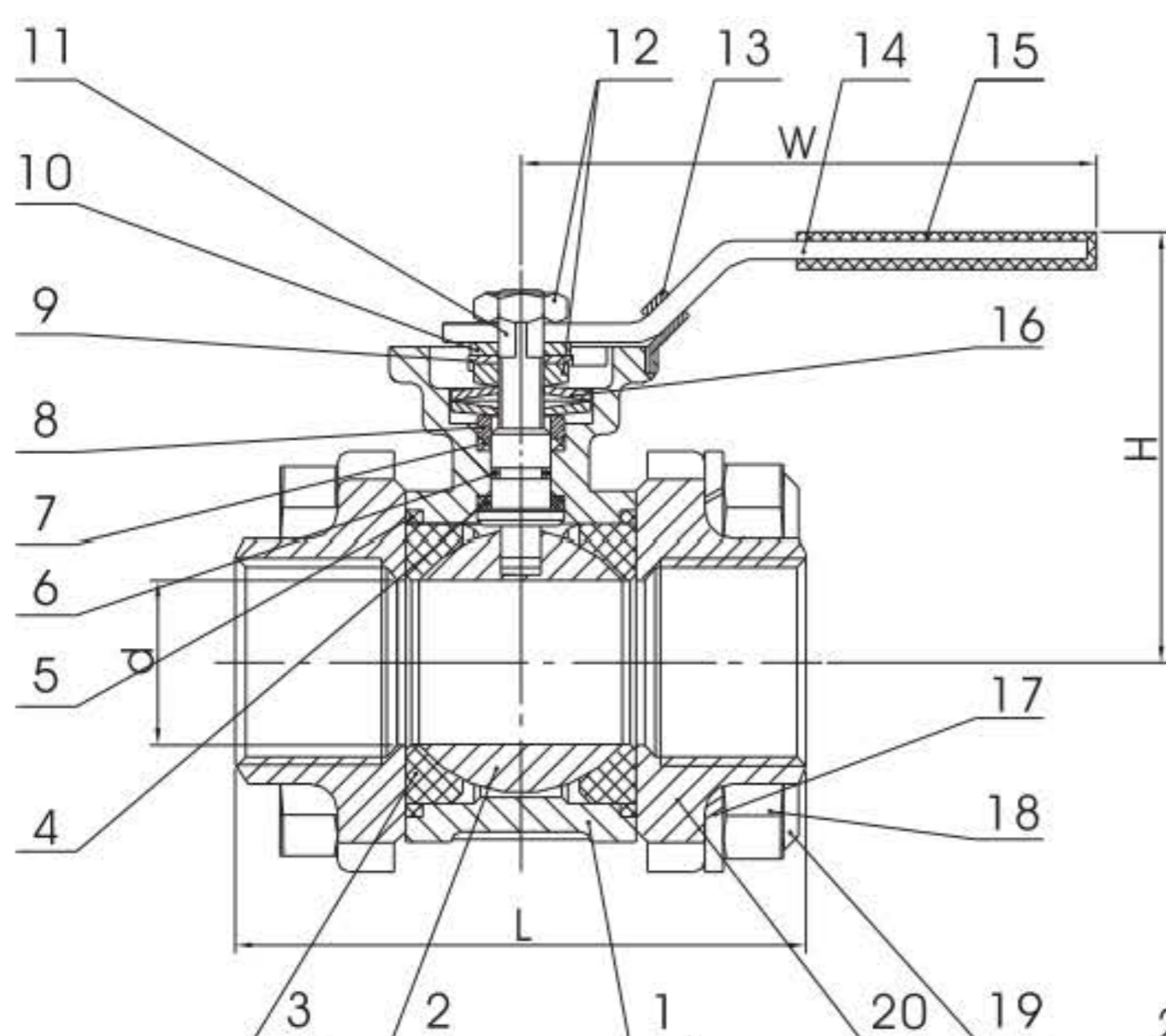


MV-81

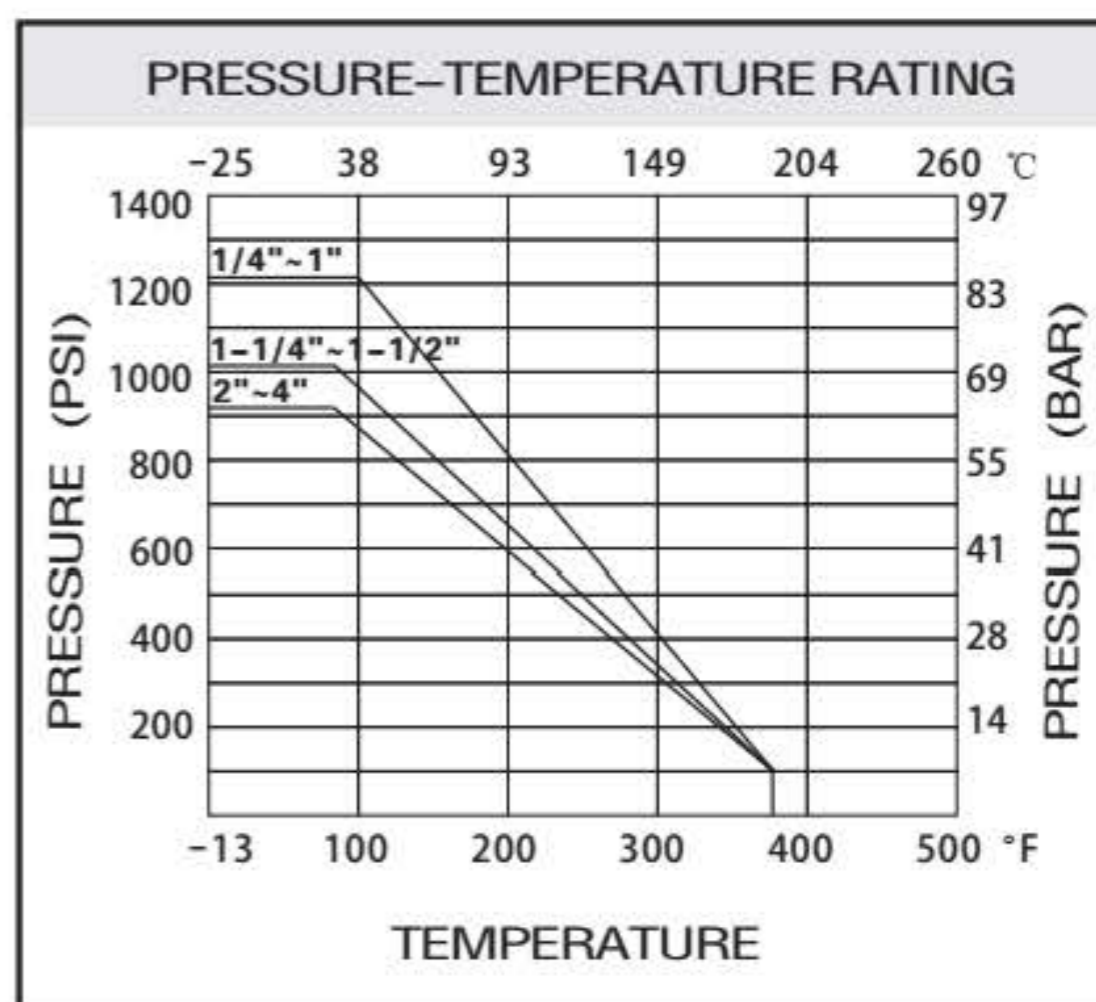
3-pc Ball Valve with Mounting

Pad

- Investment casting for body and cap
- Full bore
- Thread: ANSI B2.1, BS21, ISO7/1
- Mounting pad: ISO5211
- Pressure rating : 1000 PSI (PN63)
- Working temperature: -25°C +180°C
- Material: CF8M, CF8, CF3M, WCB
- ANSI B2.1, BS21, ISO7/1
- ISO5211



ISO5211



DIMENSION LIST

SIZE	d	L		H	W	C	ISO5211	N · m	Kgs
		BSP	NPT						
1/4"	11	48		59	115	9	F03	4	0.41
3/8"	12.5	48		59	115	9	F03	4	0.40
1/2"	15	54		63	117	9	F03/F04	5	0.45
3/4"	20	73		70	134	11	F04/F05	8	0.86
1"	25	80		74	134	11	F04/F05	10	1.22
1-1/4"	32	90		88	203	14	F05/F07	14	1.88
1-1/2"	40	102		94	203	14	F05/F07	18	2.78
2"	50	118		102	203	14	F05/F07	25	3.56
2-1/2"	65	151	141	140	255	17	F07/F10	48	7.20
3"	80	182	172	153	255	17	F07/F10	75	12.10
4"	100	218	202	166	302	17	F07/F10	110	19.90

MATERIAL LIST

ITEM	PART	MATERIAL	QTY
1	Body	CF8M	1
2	Ball	SS316	1
3	Ball Seat	R-PTFE (15%)	2
4	Thrust Washer	PTFE	1
5	Body Gasket	PTFE	2
6	O-ring	VITON	1
7	Stem Packing	PTFE	1
8	Gland	SS304	1
9	Nut Stopper	SS304	1
10	Plate Washer	SS304	1
11	Stem	SS316	1
12	Nut	SS304	2
13	Lock Device	SS304	1
14	Handle	SS304	1
15	Handle Cover	Plastic	1
16	Belleville Washer	SS301	2
17	Spring Washer	SS304	4 (12)
18	Nut	SS304	4 (12)
19	Bolt	SS304	4 (6)
20	Cap	CF8M	2
21	Stop Pin	SS304	1