

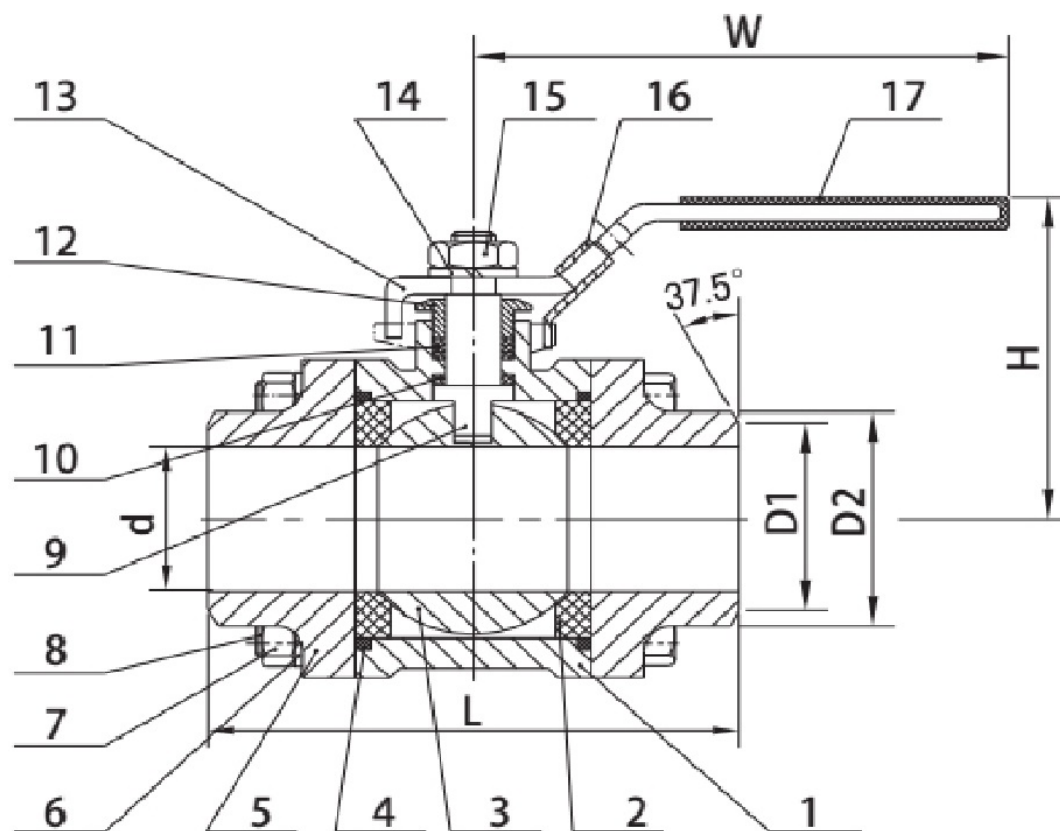
V-VALFLOW



MV-31B

3-pc Butt-Weld Ball Valve

- Investment casting for body and cap
- Full bore
- Pressure rating : 1000 PSI (PN63)
- Working temperature: -25°C +180°C
- Material: CF8M, CF8, CF3M, WCB



DIMENSION LIST

SIZE	d	L	D1	D2	H	W	N · m	Kgs
1/4"	11	44	13	18.1	51	105	4	0.34
3/8"	12.5	44	13	18.1	51	105	4	0.35
1/2"	15	54	17	21.7	53	118	5	0.39
3/4"	20	73	22	27.2	60	118	8	0.71
1"	25	80	28	34	75	150	10	1.14
1-1/4"	32	90	35	42.7	80	150	14	1.58
1-1/2"	40	102	43	48.6	88	182	18	2.44
2"	50	118	54	60.5	95	182	25	3.10
2-1/2"	65	151	70	76	121	254	48	6.30
3"	80	182	85	93	135	254	75	10.65
4"	100	218	105	116	158	285	110	18.80