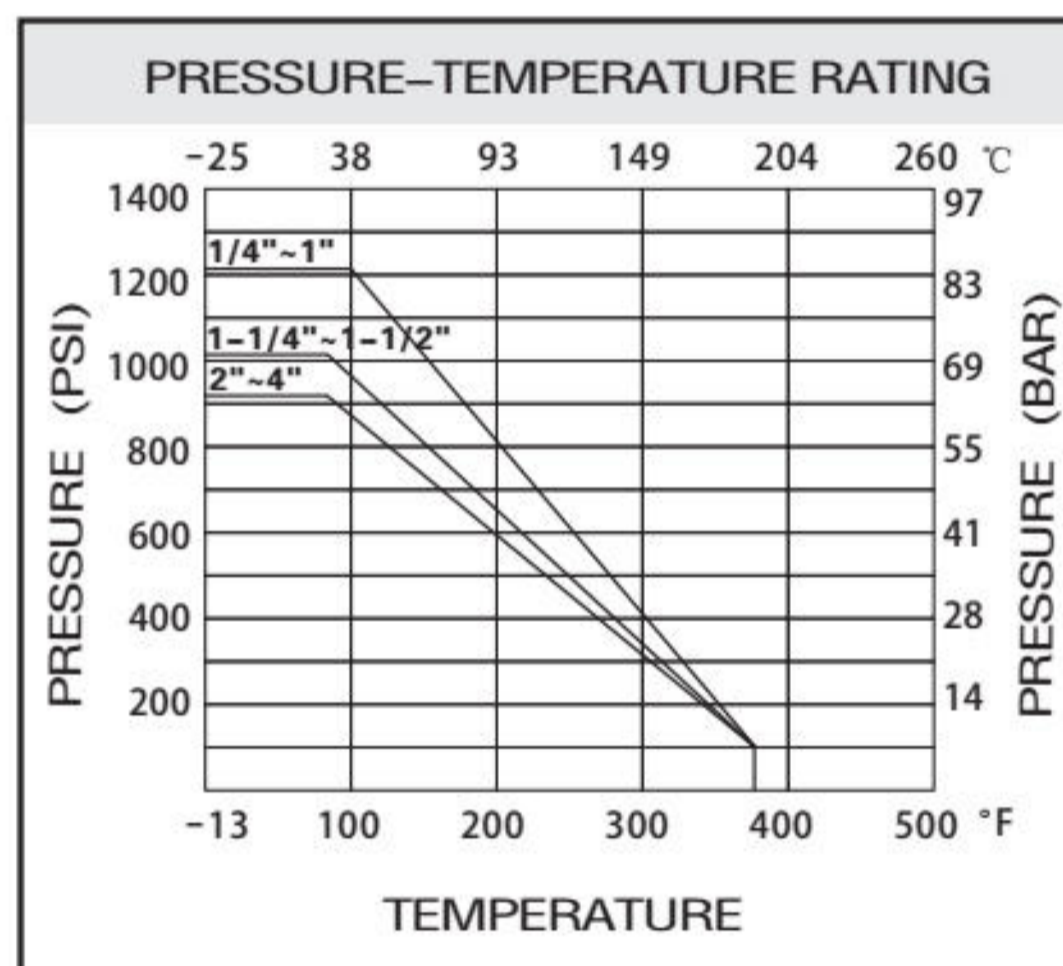
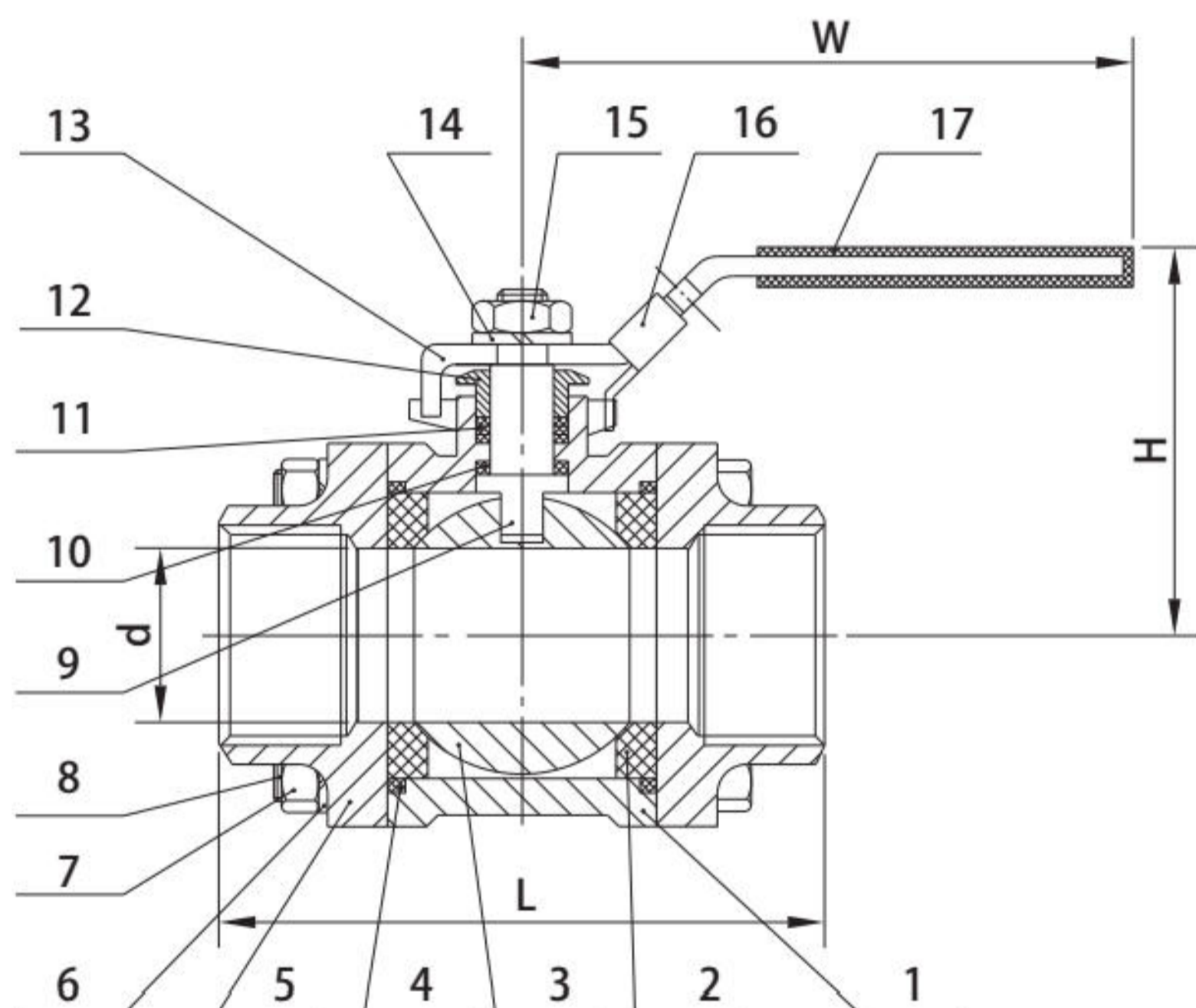




MV-31

3-pc Ball Valve

- Investment casting for body and cap
- Full bore
- Threaded ends: ANSI B2.1, BS21, ISO7/1
- Pressure rating : 1000 PSI (PN63)
- Working temperature: -25°C +180°C
- Material: CF8M, CF8, CF3M, WCB



DIMENSION LIST

SIZE	d	L		H	W	N · m	Kgs
		BSP	NPT				
1/4"	11.5	48		51	105	4	0.35
3/8"	12.5	48		51	105	4	0.34
1/2"	15	54		53	118	5	0.39
3/4"	20	73		60	118	8	0.73
1"	25	80		75	150	10	1.10
1-1/4"	32	90		80	150	14	1.60
1-1/2"	40	102		88	182	18	2.52
2"	50	118		95	182	25	3.32
2-1/2"	65	151	141	121	254	48	6.50
3"	80	182	172	135	254	75	11.00
4"	100	218	202	158	285	110	19.20

MATERIAL LIST

ITEM	PART	MATERIAL	QTY
1	Body	CF8M	1
2	Ball Seat	R-PTFE (15%)	2
3	Ball	SS316	1
4	Body Gasket	PTFE	2
5	Cap	CF8M	2
6	Spring Washer	SS304	4 (12)
7	Nut	SS304	4 (12)
8	Bolt	SS304	4 (6)
9	Stem	SS316	1
10	Thrust Washer	PTFE	1
11	Stem Packing	PTFE	1
12	Gland Nut	SS304	1
13	Handle	SS304	1
14	Spring Washer	SS304	1
15	Nut	SS304	1
16	Lock Device	SS304	1
17	Handle Cover	Plastic	1