



Pinch solenoid valve 2/2 way N.O. Direct acting - Bidirectional

21Z16M2S05
÷
21Z16M2S25

PRESENTATION:

Direct acting S.V., producing no turbulences, for interception of fluids compatible with the construction materials. Minimum operational pressure is not required. This S.V. allow bidirectional flow and avoid any dead space. The materials used and the tests carried out ensure maximum reliability and duration.

USE: Automation, analysis and medical.

COILS: 4W 24V DC ED 100% - Ø 7

**COIL HOUSING AND COIL FORMER MATERIAL ARE
MADE BY 100% VIRGIN MATERIAL.**



Environment temperature

- 10°C

+ 40°C

Tubings			Code	Pinching force (g)	Power absorption watt	Weight (g)
Ø int. (mm)	Ø ext. (mm)	wall thickness (mm)				
0,76	1,65	0,4	21Z16M2S05	250	4	50
1,57	3,18	0,8	21Z16M2S20	900		
1,98	3,18	0,6	21Z16M2S25	400		

Note

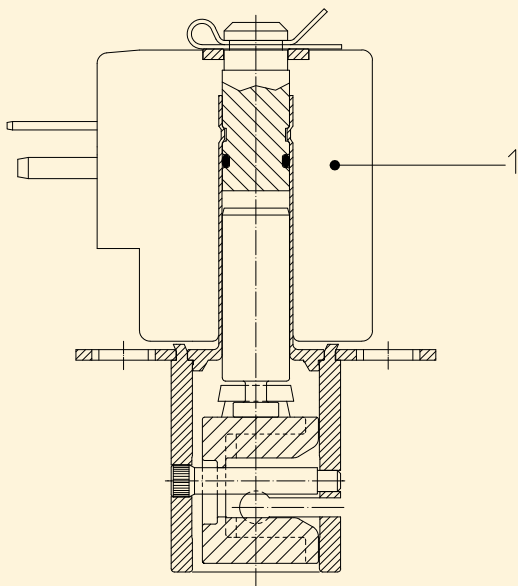
This S.V. is suitable for soft silicon tubings with hardness 55 ± 3 shore A..

Tubing are not included in our supply.

When used with less than 2,2mm external diameter pipes, a pipeholder should be mounted.

Available on request and with minimum quantities.

The "ODE" reserves the right to carry out technical and aesthetic modifications without prior notification.



MATERIALS:

Body	Anodized Aluminium
Armature tube	Brass - UNI EN 12164 CW614N + nickel plated
Fixed core	Stainless steel AISI series 400
Plunger	Stainless steel AISI series 400
Spring	Stainless steel AISI series 300
Pinching device	POM C=Acetalic resin

On request:

Connector	Pg 9
Connector conformity	ISO 4400

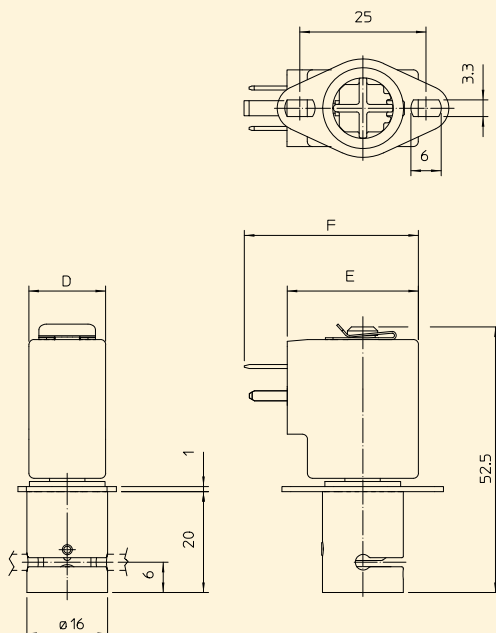
FEATURES:

Electrical conformity	IEC 335
Protection	IP 65 EN 60529 (DIN 40050) with coil fitted by connector.

SPARE PARTS:

- 1. Coil:
RMAA04024CS

DIMENSIONS:



COIL TYPE	POWER ABSORPTION	DIMENSIONS		
	W ==	D mm	E mm	F mm
M	4	16	26	34,5