



## Proportional solenoid valve 2/2 way N.C. - Direct acting

**21A2KCV30-05**

### PRESENTATION:

Solenoid valve designed for a fluid output proportional to voltage change.

Minimum operational pressure is not required.

Mounting in any position.

Material used and tests carried out ensure reliability and long life time.

### TECHNICAL FEATURES

Max. allowable pressure (PS) 40 bar

Ambient temperature:

See coils catalogue page for its compatibility.

Proportional response features:

Hysteresis	< 5%
Repeatability	< 3%
Sensitivity	< 2%

Tensions range: 0-24 VDC

24 VDC impulse range modulation (600 ÷ 800 Hz),

(see general information:proportional S.V. operation).

These solenoid valves are not suitable for stagnating fluids, or for fluids that being subject to evaporation may deposit solid, calcareous or similar residues.

PIPES: G 1/4

### COILS

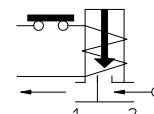
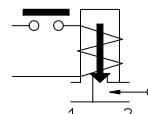
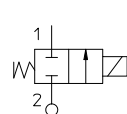
8W - Ø 13

BDA - BSA 155°C (class F)

BDV 180°C (class H)

12W - Ø 13

UDA 155°C (class F)

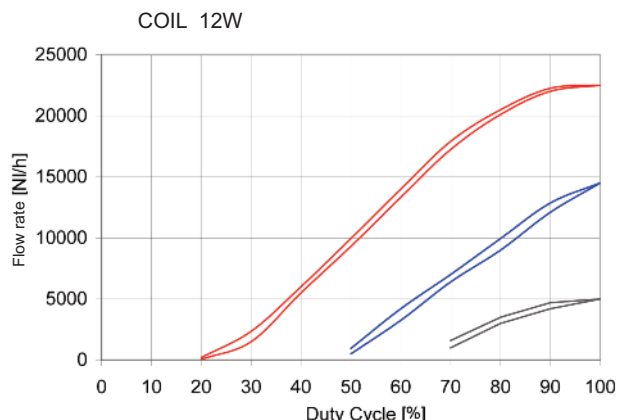
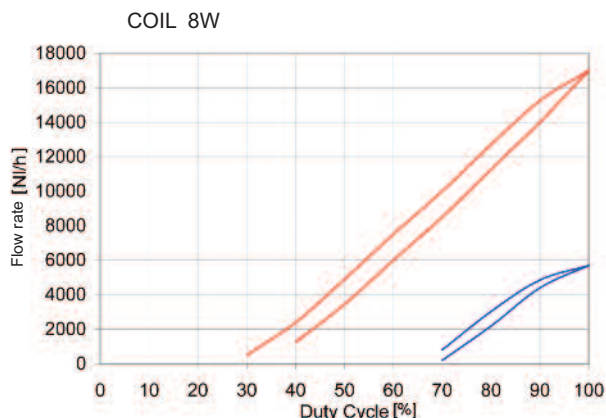


**COIL HOUSING AND COIL FORMER MATERIAL ARE MADE BY 100% VIRGIN MATERIAL.**

Gaskets	Temperature	Medium
V=FKM (fluoroelastomer)	- 10°C +140°C	Water, inert gas, mineral oils (3°E), gasoline

Pipe ISO 228/1	Code	Max viscosity		Ø mm	Kv l/mn	Power watt	Pressure		
		cSt	°E				min bar	M.O.P.D. AC bar DC bar	
G 1/4	21A2KCV30-05	21	~ 3	3	4	8 12	0	-	5

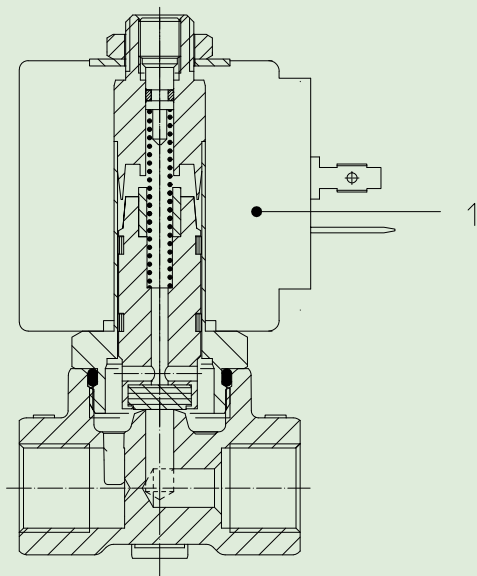
SOLENOID VALVE CALIBRATED AT 5 bar - Flow rate in air



— P= 5 bar — P= 2,5 bar — P= 1 bar

**Note** Also available with brass body without lead.

The "ODE" reserves the right to carry out technical and aesthetic modifications without prior notification.



**MATERIALS:**

<b>Body</b>	Brass - UNI EN 12165 CW617N
<b>Armature tube</b>	Stainless steel AISI series 300
<b>Fixed core</b>	Stainless steel AISI series 400
<b>Plunger</b>	Stainless steel AISI series 400
<b>Spring</b>	Stainless steel AISI series 300
<b>Ring guide</b>	PTFE
<b>Orifice: Insert slot</b>	Stainless steel AISI series 300
<b>Seal</b>	V=FKM
<b>Gasket</b>	V=FKM

**On request:**

<b>Connector</b>	Pg 9 or Pg 11
<b>Connector conformity</b>	ISO 4400

**FEATURES:**

<b>Electrical conformity</b>	IEC 335
<b>Protection degree</b>	IP 65 EN 60529 (DIN 40050) with coil fitted by connector.

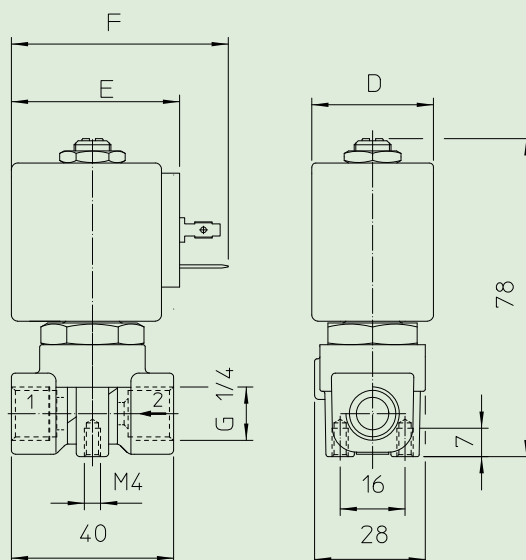
**SPARE PARTS:**

- 1. Coil:**  
See coils list

**KIT:**

KT130KCV55-I

**DIMENSIONS:**



COIL TYPE	POWER ABSORPTION	DIMENSIONS		
	W	D mm	E mm	F mm
B	8	30	42	54
U	12	36	48	60