



Proportional solenoid valve 2/2 way N.C. - Direct acting

21A2KCV25-08

PRESENTATION:

Solenoid valve designed for a fluid output proportional to voltage change.

Minimum operational pressure is not required.

Mounting in any position.

Material used and tests carried out ensure reliability and long life time.

TECHNICAL FEATURES:

Max. allowable pressure (PS) 40 bar

Ambient temperature:

See coils catalogue page for its compatibility.

Proportional response features:

| | |
|---------------|------|
| Hysteresis | < 5% |
| Repeatability | < 3% |
| Sensitivity | < 2% |

Tensions range: 0-24 VDC

24 VDC impulse range modulation (600 ÷ 800 Hz),

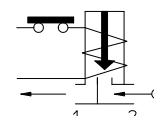
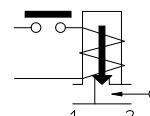
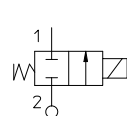
(see general information:proportional S.V. operation).

These solenoid valves are not suitable for stagnating fluids, or for fluids that being subject to evaporation may deposit solid, calcareous or similar residues.

PIPES: G 1/4

COILS:

| | |
|------------|-----------------|
| 8W - Ø 13 | |
| BDA - BSA | 155°C (class F) |
| BDV | 180°C (class H) |
| 12W - Ø 13 | |
| UDA | 155°C (class F) |

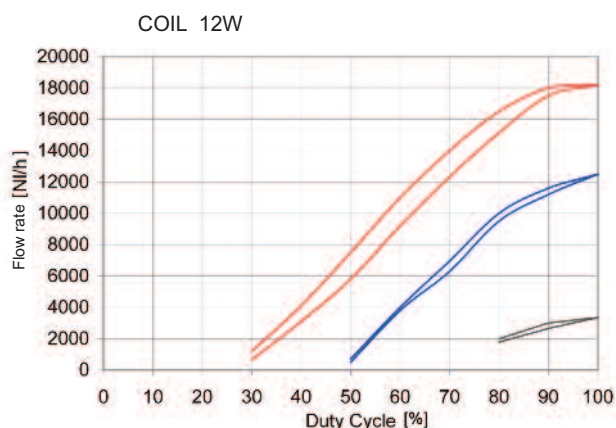
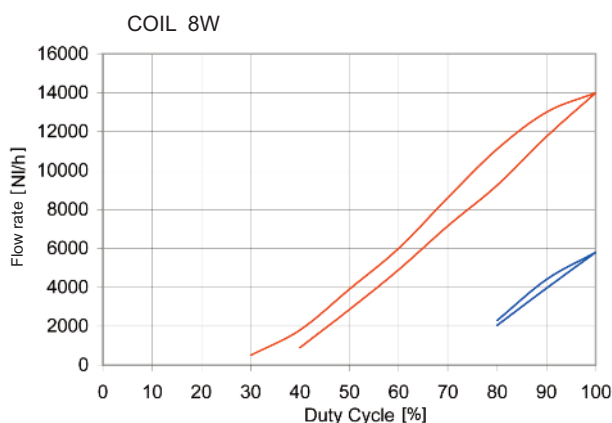


COIL HOUSING AND COIL FORMER MATERIAL ARE MADE BY 100% VIRGIN MATERIAL.

| Gaskets | Temperature | | Medium |
|----------------------------|-------------|--------|---|
| V=FKM (fluoroelastomer) | - 10°C | +140°C | Water, inert gas, mineral oils (3°E), gasoline |

| Pipe ISO 228/1 | Code | Max viscosity | | Ø mm | Kv l/mn | Power watt | Pressure | | |
|-------------------|--------------|---------------|-----|---------|------------|---------------|------------|---------------------------|---|
| | | cSt | °E | | | | min bar | M.O.P.D. AC bar DC bar | |
| G 1/4 | 21A2KCV25-08 | 21 | ~ 3 | 2,5 | 3,2 | 8 12 | 0 | - | 8 |

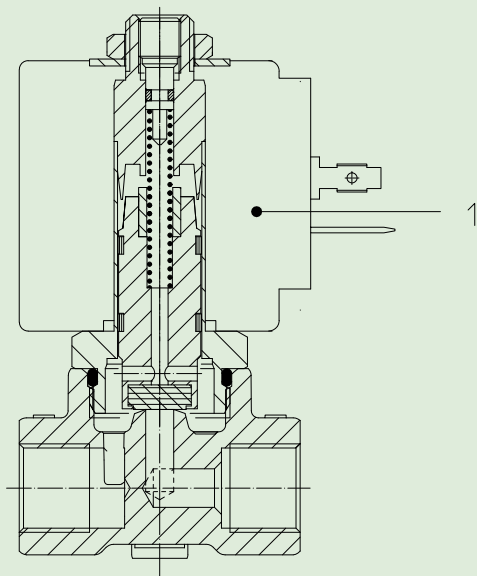
SOLENOID VALVE CALIBRATED AT 8 bar - Flow rate in air



— P= 8 bar — P= 4 bar — P= 1 bar

Note Also available with brass body without lead.

The "ODE" reserves the right to carry out technical and aesthetic modifications without prior notification.



MATERIALS:

| | |
|-----------------------------|---------------------------------|
| Body | Brass - UNI EN 12165 CW617N |
| Armature tube | Stainless steel AISI series 300 |
| Fixed core | Stainless steel AISI series 400 |
| Plunger | Stainless steel AISI series 400 |
| Spring | Stainless steel AISI series 300 |
| Ring guide | PTFE |
| Orifice: Insert slot | Stainless steel AISI series 300 |
| Seal | V=FKM |
| Gasket | V=FKM |

On request:

| | |
|-----------------------------|---------------|
| Connector | Pg 9 or Pg 11 |
| Connector conformity | ISO 4400 |

FEATURES:

| | |
|------------------------------|--|
| Electrical conformity | IEC 335 |
| Protection degree | IP 65 EN 60529 (DIN 40050) with coil fitted by connector. |

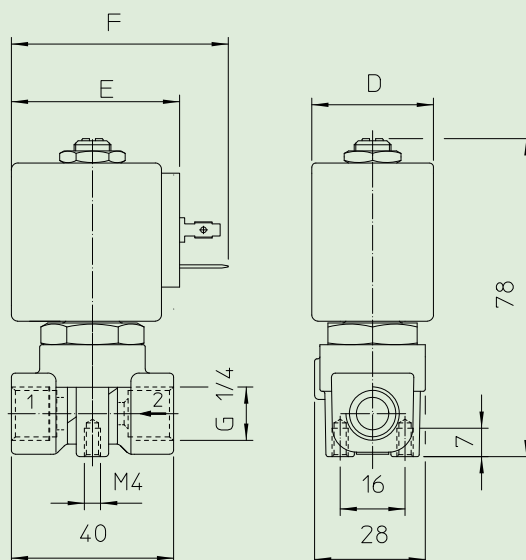
SPARE PARTS:

- 1. Coil:**
See coils list

KIT:

KT130KCV55-I

DIMENSIONS:



| COIL TYPE | POWER ABSORPTION | DIMENSIONS | | |
|-----------|------------------|------------|------|------|
| | W | D mm | E mm | F mm |
| B | 8 | 30 | 42 | 54 |
| U | 12 | 36 | 48 | 60 |