

Z1A PROP N.C.

Proportional technology valve 2/2 way Direct acting



FEATURES

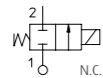
- ▶ Flow control solenoid valve
- ▶ Good repeability and low isteresys
- ▶ Different flow curves depending on the coil (contact our Customer Service)

TECHNICAL SPECIFICATION

- ▶ **Body material:** Brass UNI EN 12165 CW617N
- ▶ **Armature tube:** Stainless Steel AISI 300 series
- ▶ **Plungers:** Stainless Steel AISI 400 series
- ▶ **Spring:** Stainless Steel AISI 300 series
- ▶ **Media:** water, inert gases, mineral oils, gasoline
- ▶ **Ambient temperature:** See coils catalogue page for its compatibility
- ▶ **Fluid temperature:** -10°C +140°C with FKM seals
- ▶ **Design pressure PS:** 40 bar
- ▶ **Protection class:** IP65 (complete with electric plug)
- ▶ **Electrical conformity:** IEC 335

AVAILABLE ON REQUEST

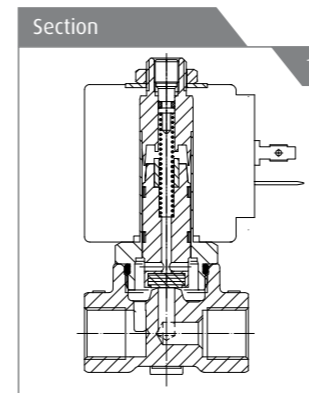
Proportional Electric Control System suitable on request, please consult the technical department for additional information



21A	2	KC	V	15	
Model valve	Z= G 1/4	K= N.C.	V= FKM	15 20 25 30 45 55	Orefice 10 ⁻¹ mm

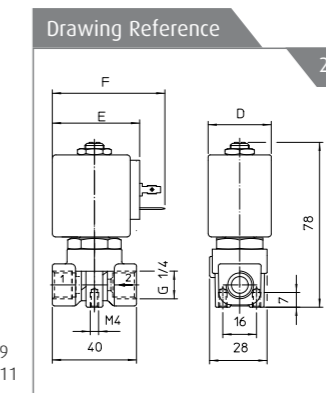
B	D	A	08	024	A	S
B= 30mm Ø 13	D EN 175301-803	A= Class F	08= 8W	024= 24V	C= DC	S= Without Approval
U= 36mm Ø 13		V= Class H	12= 12W	112= 110V-120V	A= AC	S= Without Approval

PIPE	Ø (mm)	Kv (l/min)	MAX VISCOSITY cSt (°E)	PRESSURE min	PRESSURE MAX MOPD (bar)						GAS CODE	NPT CODE	DRAWING REFERENCE
					COIL TYPE								
					AC			DC					
				B	U	G	B	U	G				
G 1/4	1,5	1,4	21(3)	0	-	-	-	10	10	-	21A2KCV15-10	1	
	2	2	21(3)		-	-	-	10	10	-	21A2KCV20-10	2	
	2,5	3,2	21(3)		-	-	-	8	8	-	21A2KCV25-10	3	
	3	4	21(3)		-	-	-	5	5	-	21A2KCV30-10	4	
	4,5	6,4	21(3)		-	-	-	1,5	1,5	-	21A2KCV45-10	5	
	5,5	9	21(3)		-	-	-	-	1	-	21A2KCV55-10	6	



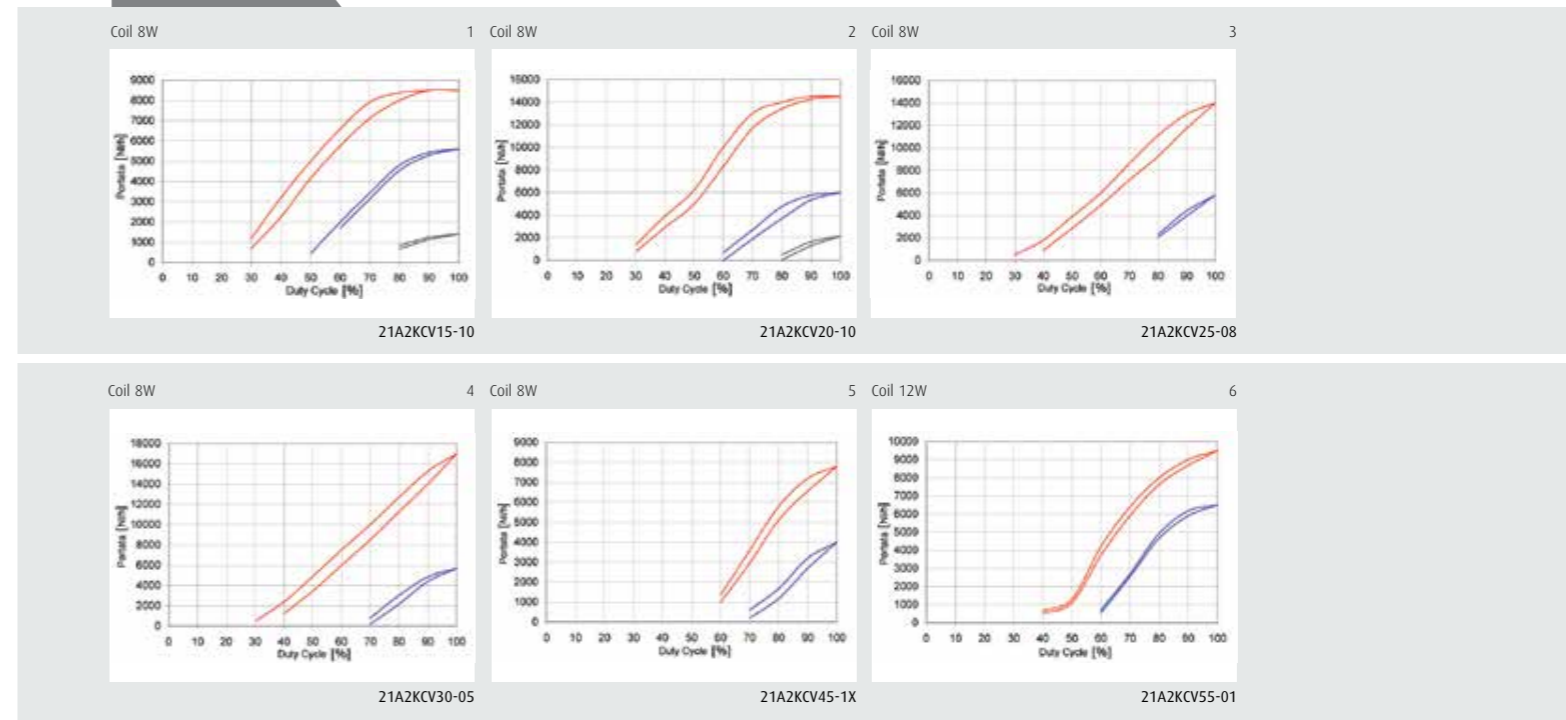
REPAIR KIT
KT130KCV55-1

RELATED ITEMS
▶ P990305: Electrical plug EN 175301-803 Pg9
▶ P990306: Electrical plug EN 175301-803 Pg11



INSTALLATION
▶ Can be installed in any position
▶ Maintenance and instruction sheet available in each solenoid valve box

Flow Curve Produced with coil (8W); for 12W curve please consult technical departement



Dimensionale Table

Figure	Coil Type	D mm	E mm	F mm
2	B	30	42	54
	U	36	48	60

