



Solenoid valve 2/2 way N.C. With piston pilot control

4731K0T70

PRESENTATION:

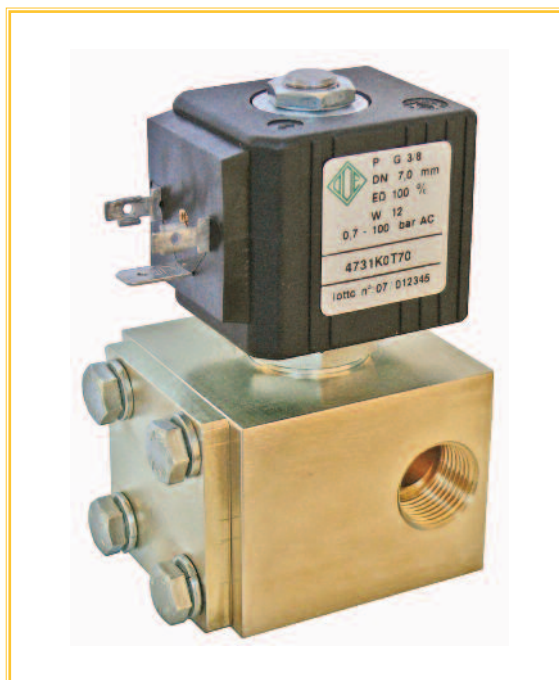
S.V. with pilot control for interception of fluids compatible of air and water.

A minimum operational pressure of 0,7 bar is required.
The materials used and the tests carried out ensure maximum reliability and duration.

USE: Automation

PIPES: G 3/8

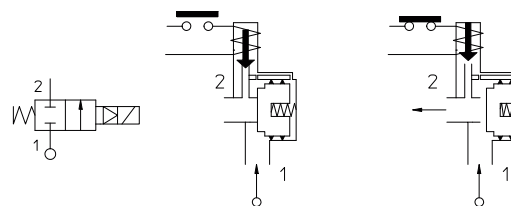
COILS:	8W - Ø 13	155°C (class F)
	BDA - BSA	180°C (class H)
	BDV	180°C (class H)
	12W - Ø 13	
	UDA	155°C (class F)
	UDV	180°C (class H)
	14W - Ø 13	
	GDA	155°C (class F)
	GDH - GDV	180°C (class H)



Max. allowable pressure (PS) 150 bar

Ambient temperature:

See coils catalogue page for its compatibility.



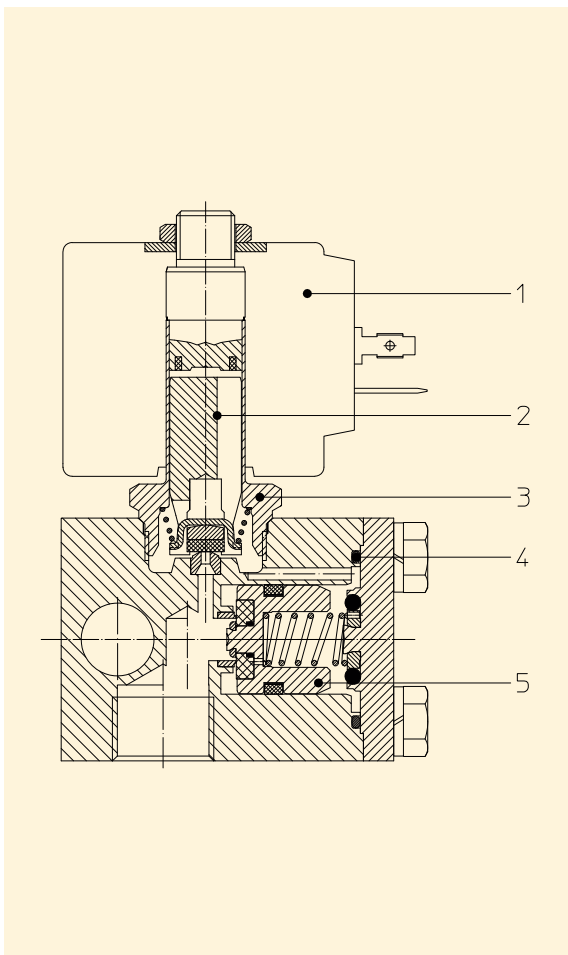
Gaskets	Temperature		Medium
T=PTFE (polytetrafluorethylen)	- 40°C	+98°C	Air, water

Pipe ISO 228/1	Code	Max viscosity		Ø mm	Kv l/mn	Power watt	Pressure		
		cSt	°E				min bar	M.O.P.D. AC bar DC bar	
G 3/8	4731K0T70	12	~ 2	7	14	8*	0,7	90	40
						12*	0,7	100	90
						14	0,7	100	100

Note

* Pressure with mono-frequency coil | Available on request and with minimum quantities.

The "ODE" reserves the right to carry out technical and aesthetic modifications without prior notice.



MATERIALS:

Body	Brass - UNI EN 12164 CW614N
Armature tube	Stainless steel AISI series 300
Fixed core	Stainless steel AISI series 400
Plunger	Stainless steel AISI seriea 400
Phase displacement ring	Copper - Cu 99,9%
Spring	Stainless steel AISI series 300
Piston Seal	PTFE modified
Main seal	T=PTFE
Orifice: Insert slot	Stainless steel AISI series 300

On request:

Connector	Pg 9 o Pg 11
Connector conformity	ISO 4400

FEATURES:

Electrical conformity	IEC 335
Protection degree	IP 65 EN 60529 (DIN 40050) with coil fitted by connector..

SPARE PARTS:

1. **Coil:**
See coils list
2. **Complete plunger:**
Code R450897
3. **Complete armature tube:**
Code R450606
4. **Gasket O-Ring:**
Code R990435/V
5. **Complete piston:**
Code R452737

KIT:

KT130KT30-AP = 2+3

MAINTENANCE KIT:

KTP4731K0T7= 2+4+5

DIMENSIONS:

