



Solenoid valve 2/2 way N.C. With piston pilot control

21YW4K0T130

÷

21YW6K0T250

PRESENTATION:

S.V. with pilot control for interception of fluids compatible with the construction materials.

A minimum operational pressure of 0,5 bar is required.

The materials used and the tests carried out ensure maximum reliability and duration.

USE: Hot water, Steam

PIPES: G 1/2 - G 1

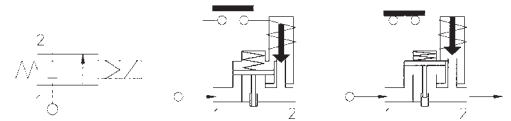
COILS: 8W - Ø 13
BDF - SDH 180°C (class H)

MOULDING AND BOBBIN ARE MADE BY 100% VIRGIN MATERIAL.

Max. allowable pressure (PS) 25 bar
Environment temperature: - 40°C + 80°C



Gaskets	Temperature		Medium
T=PTFE (polytetrafluorethylen)	- 40°C	+180°C	Steam, hot water



Pipe ISO 228/1	Code	Max viscosity		Ø mm	Kv l/mn	Power (watt)	Pressure		
		cSt	°E				min bar	M.O.P.D. AC bar DC bar	
G 1/2	21YW4K0T130	-	-	13	50	8	0,5	10	10
G 3/4	21YW5K0T190			19	90				
G 1	21YW6K0T250			25	160				

The "ODE" reserves the right to carry out technical and aesthetic modifications without prior notification.

MATERIALS:

Body Brass - UNI EN 12165 CW617N
Armature tube Stainless steel AISI series 300
Fixed core Stainless steel AISI series 400
Plunger Stainless steel AISI series 400
Phase displacement ring Copper - Cu 99,9%
Spring Stainless steel AISI series 300
Piston seal Modified PTFE
Main seal Glassfiber reinforced T=PTFE
Pilot seal PTFE
Orifice Brass - UNI EN 12165 CW617N

On request:
Connector Pg 9 o Pg 11
Connector conformity ISO 4400

FEATURES:

Electrical conformity IEC 335
Protection degree IP 65 EN 60529 (DIN 40050)
 with coil fitted by connector.

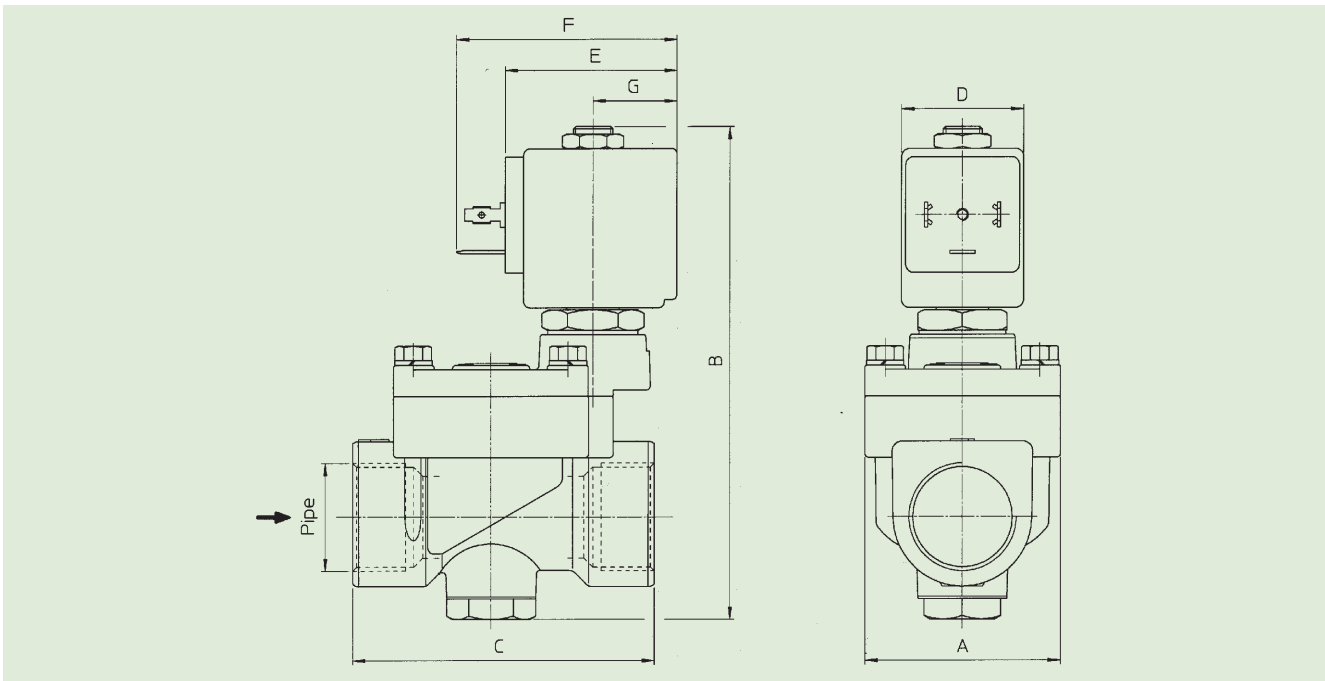
SPARE PARTS:

- | | |
|---|--|
| 1. Coil:
See coils list | 6. Complete piston:
G 1/2 Code R452604
G 3/4 Code R452547
G 1 Code R452548 |
| 2. Complete plunger:
Code R450897 | 7. Gasket plug:
G 1/2 Code R452609
G 3/4+G 1 Code R452553 |
| 3. Complete armature tube:
Code R450606 | |
| 4. Sealing ring:
G 1/2 Code R452607
G 3/4 Code R452551
G 1 Code R452552 | |
| 5. Gasket cover:
G 1/2 Code R452608
G 3/4+G 1 Code R450858 | |

KIT:

KT130K730-AGP=2+3

DIMENSIONS:



Type	Pipe ISO 228/1	A mm	B mm	C mm
21YW4K0T130	G 1/2	40	107	65
21YW5K0T190	G 3/4	48	120	74
21YW6K0T250	G 1	62	130	93

COIL	TYPE	DIMENSIONS			
		D mm	E mm	F mm	G mm
8 W	B	30	42	54	20,5
	S	32			