

TTK-3/6

THERMOSTATIC STEAM TRAP/ 3-6 CAPSULES

GENERAL FEATURES

Ayvaz TTK-3 Thermostatic Steam Trap are designed with three capsules and specially designed for steam lines which require high condensate evacuation - compared to single capsule- and encountered water hammer frequently. The thermostatic capsule with high corrosion resistance follows the steam saturation curve with a constant difference, allowing condensate and noncondensable gases to evacuate from the steam line. The resistance of the thermostatic steam trap which is not affected by the water hammer is also very high.

TTK-3's strainers is under the cover. For the cleaning operation, open the cover which is under the body. Body and cover are forged steel, and all other internal parts are stainless steel including strainer. As in all Ayvaz thermostatic steam trap, TTK-3 contains one of 3 different capsules depending on the application conditions.

Standard production "S" type capsule is used. All internal parts of the steam trap, which continuously discharge, can be supplied as spare parts.

Ayvaz TTK-3 Thermostatic Steam Trap can be connected to the pipeline in any position for efficient and long-term operation. Appropriate isolation valves must be installed to ensure that maintenance and drainage are safe.

Product Material:

Body and Cover(TTK-3 / TTK-6)
 Forged Steel / 316 SS (opt.)

Inner Parts: Stainless Steel

Connection:

Threaded, socket and flanged

Nominal Diameter:

DN15 (1/2") – DN50 (2")

Pressure:

Max. 32 bar

Working Temperature:

Max. 250 °C

Application:

- Drying units
- Pressing units
- Steam jacketed pipes
- Convactor heaters
- Heaters

Installation:

Can be mounted horizontally or vertically.

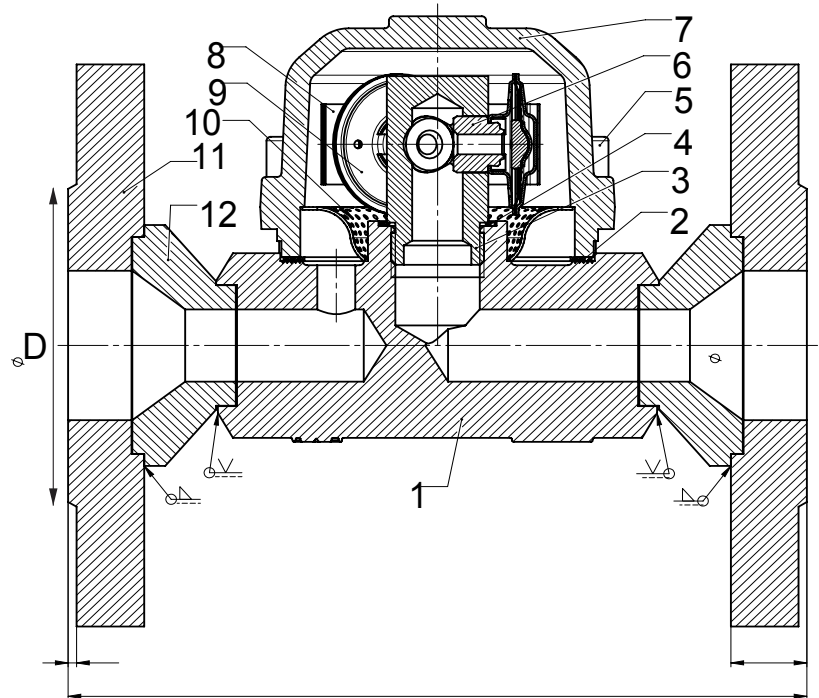
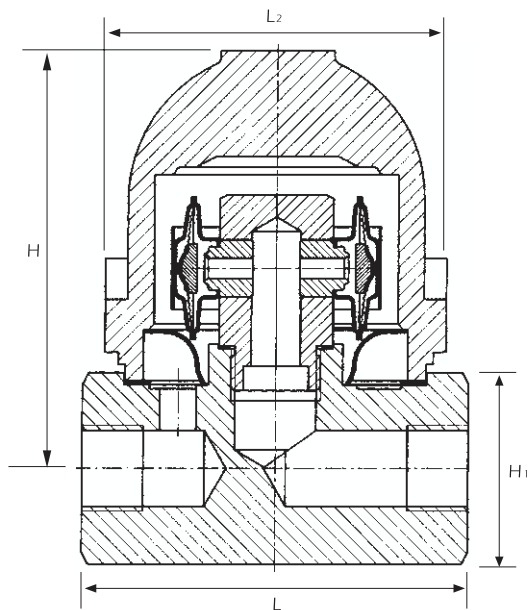
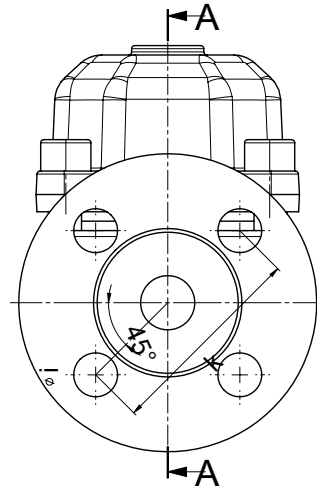
CONNECTION TYPE	
Threaded	NPT acc. to ANSI B1 20.1 BSP acc. to BS 2
Socket	ANSI B 16.11
Flanged	DIN 2635 (PN 40)

TKK-3 THERMOSTATIC STEAM TRAP/ 3 CAPSULES

WEIGHT			
Connection	Flanged	Thread	Socket
Diameter (mm)	15 - 20 - 25	1/2 - 3/4 - 1	1/2 - 3/4 - 1
Weight (kg)	4.3 - 4.6 - 5.3	2.4 - 2.4 - 2.3	2.5 - 2.5 - 2.4

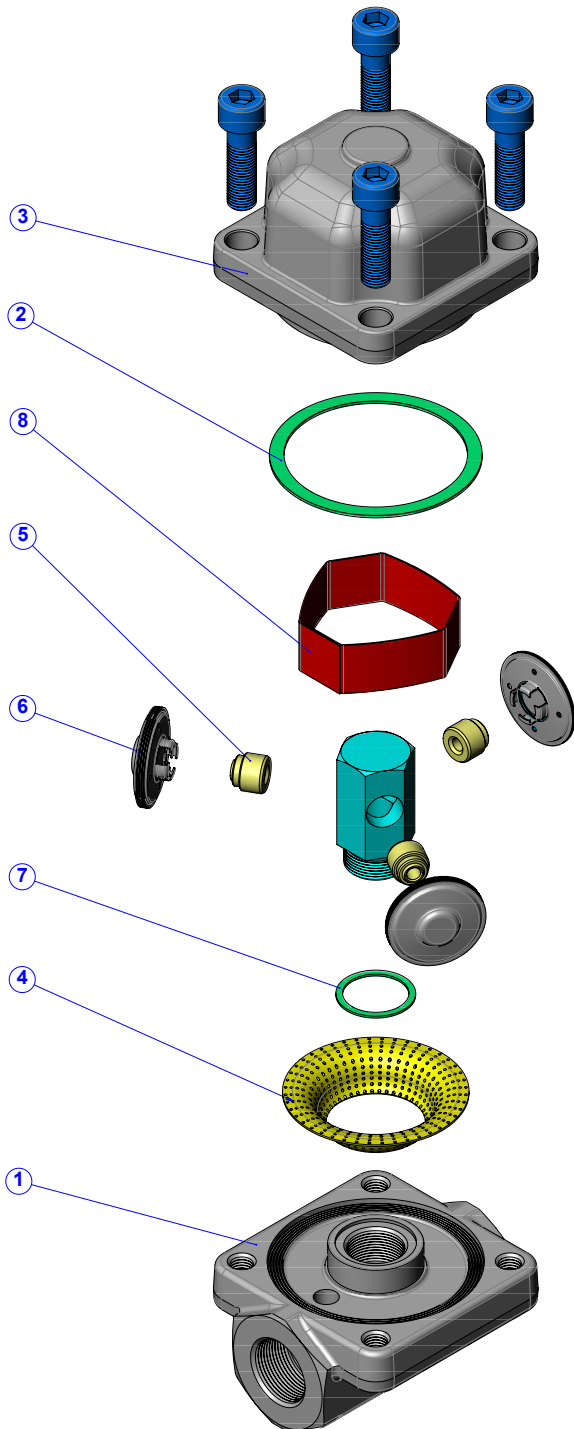
WEIGHT			
Connection	Flanged	Thread	Socket
Diameter (mm)	32 - 40 - 50	1-1/4 1-1/2 - 2	1-1/4 1-1/2 - 2
Weight (kg)	5.9- 6.6 - 7.3	2.3- 2.3 - 2.2	2.4 - 2.4- 2.3

DIMENSIONS (mm)							
Dia.	L-L1-L2	H-H1	D	b	k	g	i
15	95-150-82	93-41	95	16	65	45	14
20	95-150-82	93-41	105	18	75	58	14
25	95-160-82	93-41	115	18	85	68	14
32	95-175-82	93-41	140	18	100	78	14
40	95-185-82	93-41	150	18	110	88	14
50	95-195-82	93-41	160	20	125	102	14



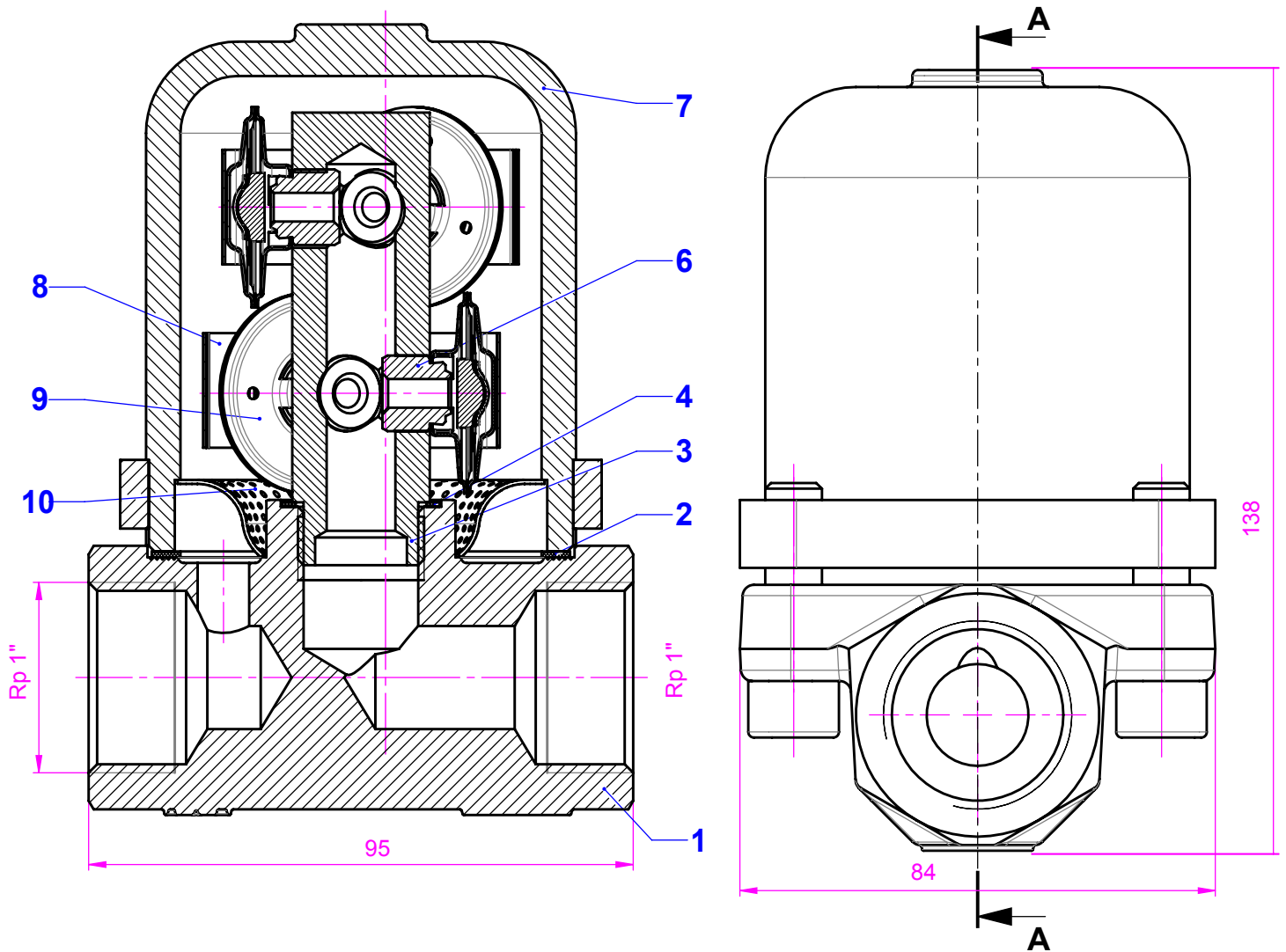
L1

TKK-3 THERMOSTATIC STEAM TRAP/ 3 CAPSULES

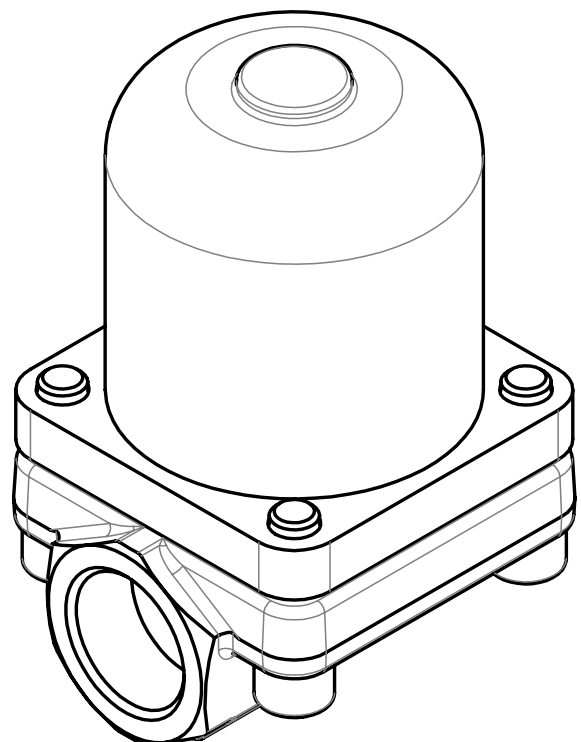


MATERIALS		
1	Body	Forged Steel
2	Cover Gasket	Klingerite
3	Cover	Forged Steel
4	Filter	Stainless Steel
5	Capsule Seat	Stainless Steel
6	Thermostatic Capsule	Stainless Steel
7	Cover Gasket	Stainless Steel
8	Pressure Spring	

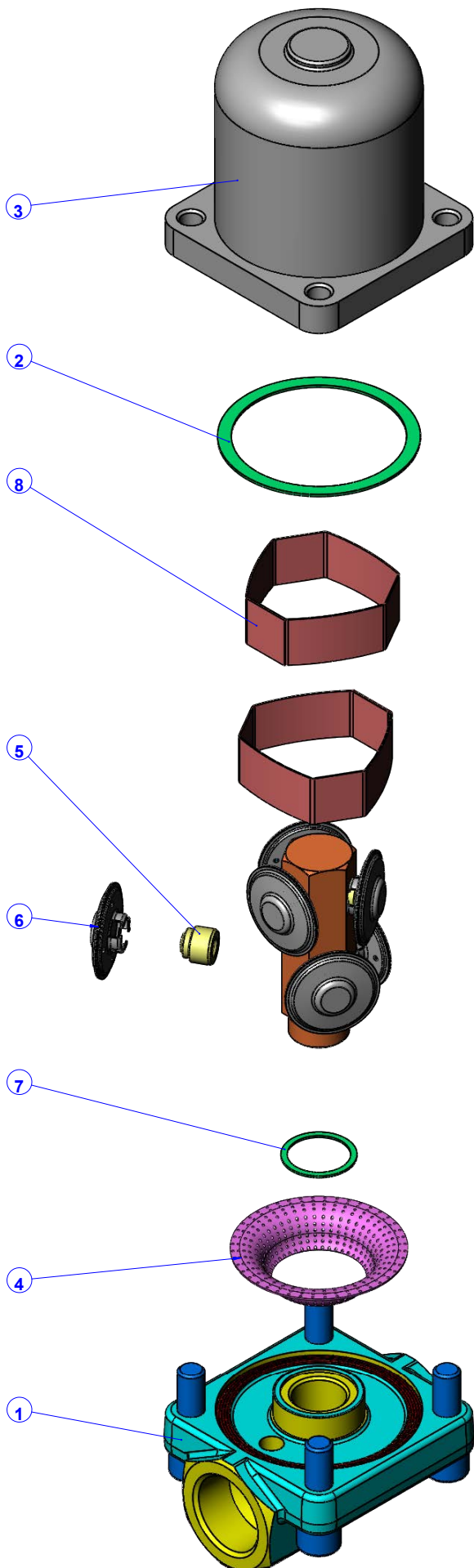
TKK-6 THERMOSTATIC STEAM TRAP/ 6 CAPSULES



MATERIALS		
1	Body	Forged Steel
2	Cover	Forged Steel
3	Seat Body	Stainless Steel
4	Seat Gasket	Stainless Steel
5	Cover Bolts	8.8
6	Seat	Stainless Steel
7	Cover Gasket	Klingerite
8	Pressure Spring	Spring sheet metal
9	Thermostatic Capsule	Stainless Steel
10	Strainer	Stainless Steel



TKK-6 THERMOSTATIC STEAM TRAP/ 6 CAPSULES



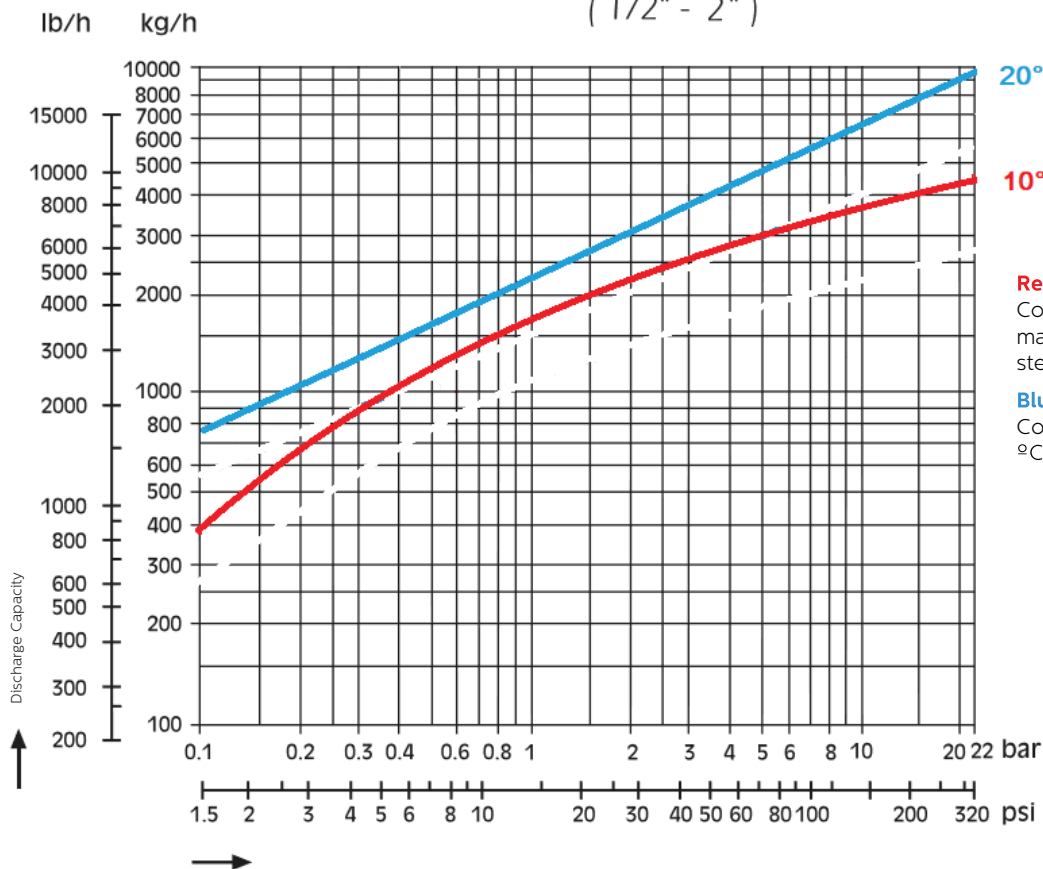
MATERIAL		
1	Body	Forged Steel ASTM A105
2	Cover Gasket	Klingerite
3	Cover	Forged Steel ASTM A105
4	Strainer	Stainless Steel AISI 304
5	Air Vent Seat	Stainless Steel AISI 304
6	Capsule	Stainless Steel AISI 304
7	Seat Gasket	Stainless Steel AISI 304
8	Pressure Spring	

TKK-3/6 THERMOSTATIC STEAM TRAP/ 3-6 CAPSULES

DISCHARGE CAPACITIES

TKK-6

(1/2" - 2")



20° Cold condensate

10°C below saturation

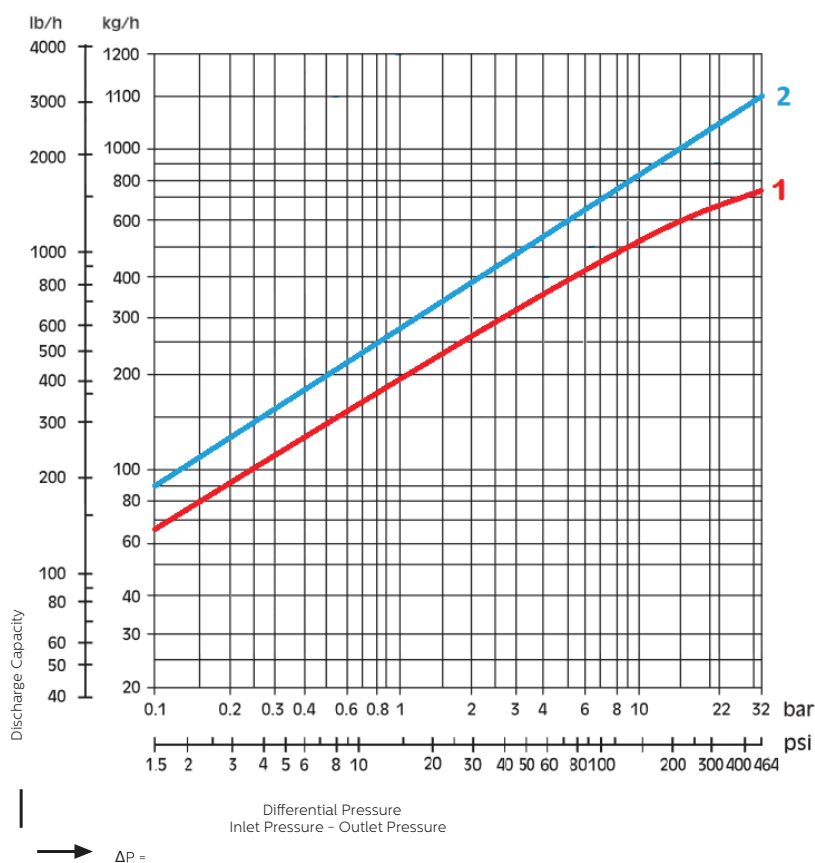
Red Curve

Condensate drain at a maximum of 10 °C below the steam saturation temperature.

Blue Curve

Cold condensate drain at 20 °C

TKK-3



Red Curve

Condensate drain at a maximum of 10 °C below the steam saturation temperature.

Blue Curve

Cold condensate drain at 20 °C

TKK-3/6 THERMOSTATIC STEAM TRAP/ 3-6 CAPSULES



HEAD OFFICE - FACTORY

Atatürk Sanayi Bölgesi Hadımköy Mahallesi Mustafa İnan Caddesi No: 44 Arnavutköy - İSTANBUL
Tel: +90 212 771 01 45 (pbx) | Fax: +90 212 771 47 27
info@ayvaz.com | www.ayvaz.com

**Cona
Caserta/Italy**

Tel: +39 0823 187 3988
rmolaro@ayvaz.com

**Ayvaz Germany
Viernheim/Germany**

Tel: +49 62046014399
germany@ayvaz.com

**Ayvaz Ukraine
Kiev/Ukraine**

Tel: +380 44 390 57 57
info@ayvaz.com.ua

**Tricorr
Warsaw/Poland**

Tel: +48 530 030 810
+48 533 603 335
tricorr@tricorr.eu

**Ayvaz Azerbaijan
Baku/Azerbaijan**

Tel: +99 (455) 579-84-32
ahayatov@ayvaz.com

**Ayvaz Egypt
Cairo/Egypt**

Tel: +20 122 819 78 29
andrew.eid@ayvaz.com

**Ayvaz Gulf
Dubai/U.A.E**

Tel: +971 563550822
+971 501306871
mideast@ayvaz.com

**Ayvaz China
Ningbo/China**

Tel: +86 152 5830 7361
msahin@ayvaz.com

**Ayvaz Kazakhstan LLP
Almaty/Kazakhstan**

Tel: +7 (727) 327 97 57
info_kz@ayvaz.com

**Ayvaz N
Ispirih/Bulgaria**

Tel: +359 8431 27 32
office@ayvaz-n.eu

**Ayvaz Serbia
Belgrade/Serbia**

Tel: +381 61 658 70 52
yakbiyik@ayvaz.com

**Ayvaz Vietnam
HCMC/Vietnam**

ggursoy@ayvaz.com
Tel: +84 89 8508345

**Ayvaz Americas
Rhode Island/USA**

Tel: +1 401 737 8380
americas@ayvaz.com