

SK-50

FLOATING BALL STEAM TRAP

GENERAL FEATURES

Ayvaz SK-50 Steam Trap carry out continuous evacuation with varying amount of condensate at steam saturation temperature. It is not affected by sudden and wide pressure changes. It is preferable for systems where condensate discharge is requested to be rapid and it is preferred where condensate accumulation is inconvenient. Ideal for automatic temperature controlled systems.

In addition to the float performs the discharge task, the air is carried out by the thermostatic capsule in the body. In this way, the impact of the water hammer in the pipeline are prevented. At the same time, if the float loses its function for any reason, thermostatic capsule is activated and continues to drain the condensate and prevents congestion in the system.

Material Parts

Body (DN25): GGG 40 Ductile Iron

Body (DN32-40-50): GG 25 Cast Iron

Inner Parts: AISI304 Stainless Steel

Connection:
Threaded or Flanged

Nominal Diameter:
DN25 (1") – DN50 (2")

Pressure:
Max. 16 bar

Working Temperature:
Max. 250 °C

Application Areas:

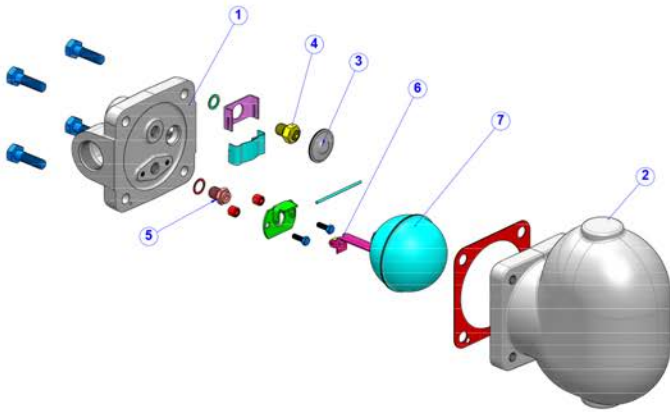
- Heat exchangers
- Heating batteries
- Tanks
- Drying rollers

Installation:
Horizontal

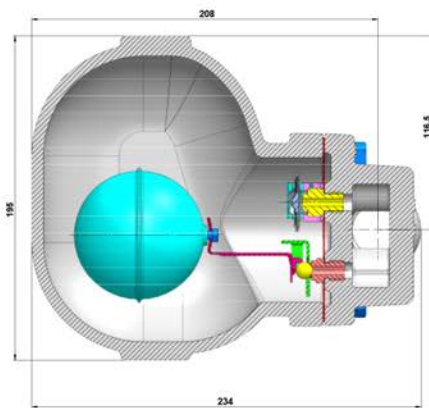
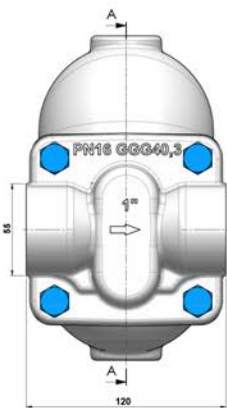
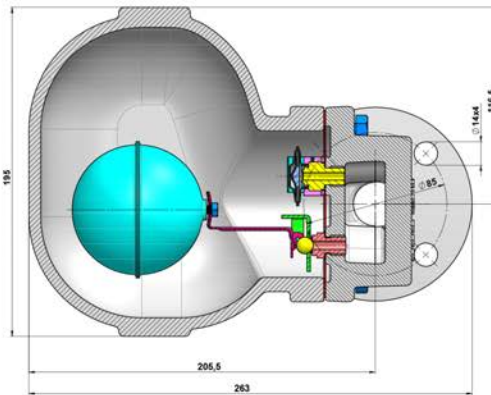
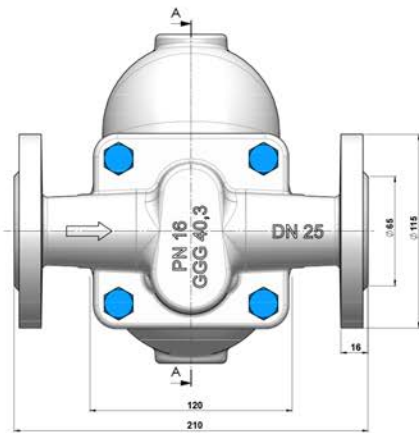
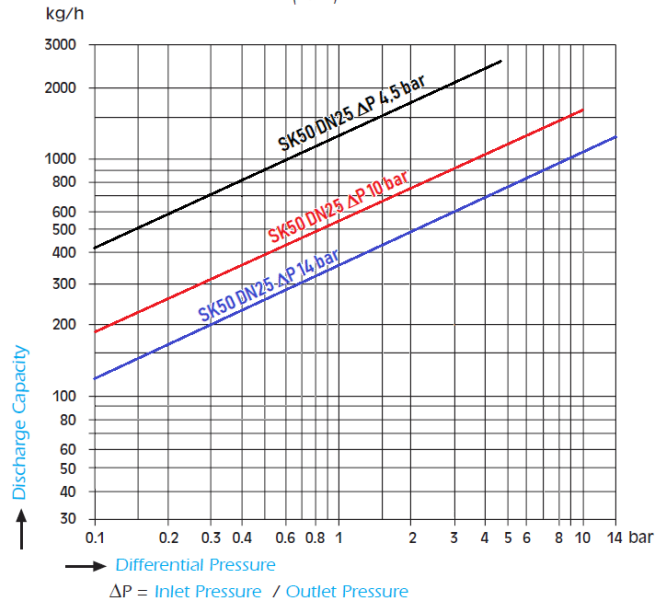
Connection Type	Flanged	Threaded
Diameters (mm)	25-32-40-50	1" - 1 1/4" - 1 1/2" - 2"
Weight (kg)	8.3-20.8-21.8-33	6.8-16.8-17.6-22

SK-50 FLOATING BALL STEAM TRAP

DN25 TECHNICAL SPECIFICATIONS



Discharge Capacities (1")

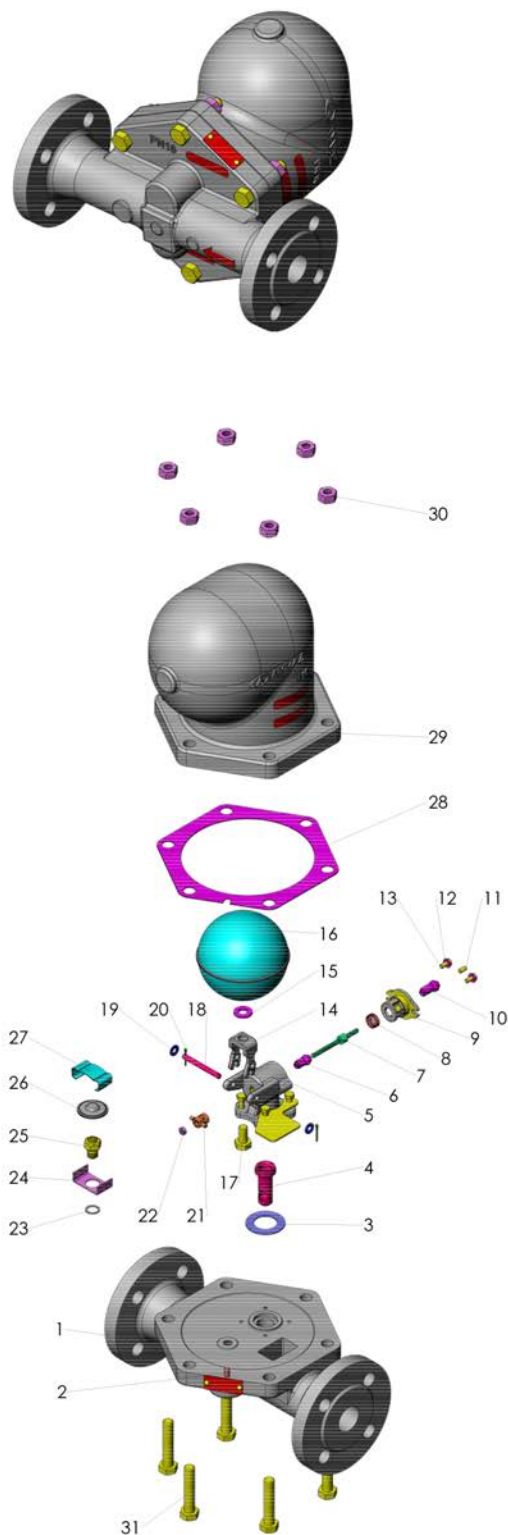


SPARE PARTS		
No	PART NAME	MATERIAL
1	Body	GGG 40
2	Cover	GGG 40
3	Thermostatic Capsule	Stainless Steel
4	Capsule Seat	Stainless Steel
5	Float Seat	Stainless Steel
6	Float Lever	Stainless Steel
7	Float	Stainless Steel

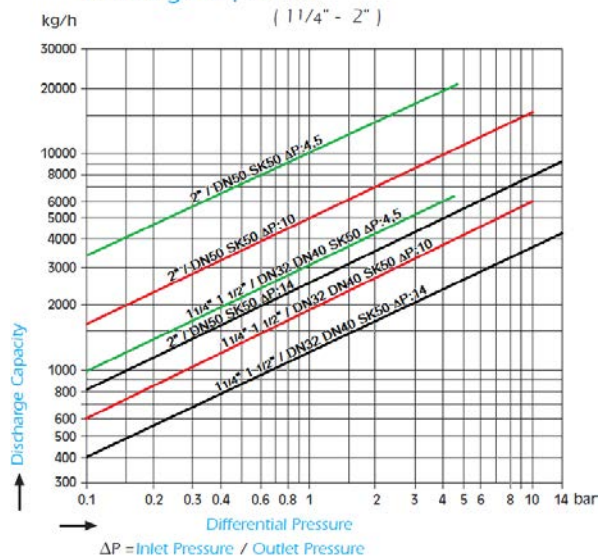
All dimensions are given in mm.

SK-50 FLOATING BALL STEAM TRAP

DN32-40-50 TECHNICAL SPECIFICATIONS



Discharge Capacities

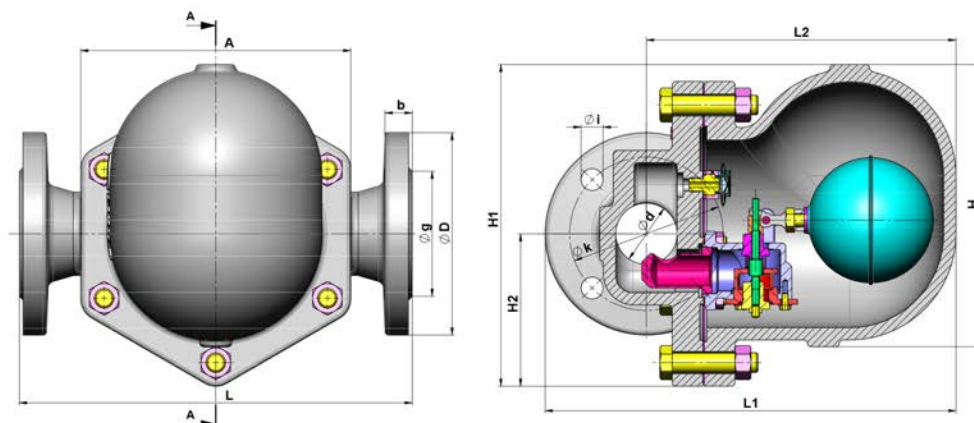


SPARE PARTS

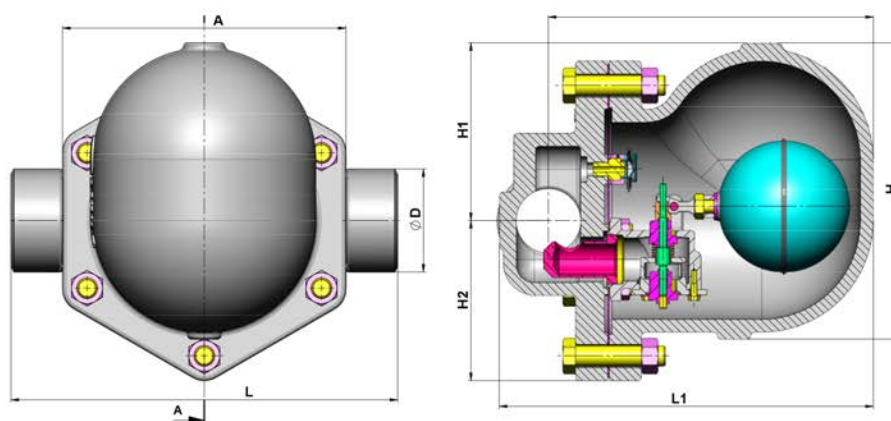
No	PART NAME	MATERIAL
1	Body	GG-25 Cast Iron
2	Spring Sleeve	55 Si 7
3	Bear Gasket	%94 Pure Graphite
4	Erosion Prevention	AISI 304 SS
5	Bear	AISI 430 SS
6	Valve	AISI 430 SS
7	Bear Shaft	AISI 304 SS
8	Spring	AISI 302 SS
9	Bear Cover	1.4581
10	Valve	AISI 430 SS
11	Stay Screw	A2-70
12	Washer	AISI 304 SS
13	A.K.B. Screw	A2-70
14	Salincak	AISI 304 SS
15	Washer	AISI 304 SS
16	Float	AISI 316 SS
17	A.K.B. Screw	A2-70
18	Float Connection Shaft	AISI 304 SS
19	Washer	AISI 304 SS
20	Pim	AISI 304 SS
21	Pulley Wheel	AISI 304 SS
22	Nut	A2
23	Seat Gasket	AISI 304 SS
24	Thermostatic Element Lower Part	AISI 304 SS
25	Thermostatic Ele. Seat	AISI 304 SS
26	Thermostatic Element	
27	Thermostatic Element Upper Part	Spring Steel
28	Cover Gasket	%94 Pure Graphite
29	Cover	GG-25 Cast Iron
30	Nut	8.8
31	A.K.B. Screw	8.8

SK-50 FLOATING BALL STEAM TRAP

DN32-40-50 TECHNICAL SPECIFICATIONS



Dimensions												
Size	Flanged											
	ØD (mm)	Øk (mm)	Øg (mm)	b (mm)	Øixn (mm)	A (mm)	H1 (mm)	H2 (mm)	H (mm)	L1 (mm)	L2 (mm)	L (mm)
DN32	140	100	78	20	18x4	190	237.5	107.5	207	277	245	320
DN40	150	110	88	20	18x4	190	237.5	107.5	207	277	245	320
DN50	160	125	102	22	18x4	220	262	124	230	290	252	320



Dimensions								
Size	Threaded							
	ØD (mm)	A (mm)	H1 (mm)	H2 (mm)	H (mm)	L1 (mm)	L2 (mm)	L (mm)
1 1/4"	70	190	207	237.5	207	107.5	277	270
1 1/2"	70	190	207	237.5	207	107.5	277	270
2"	80	220	230	230	220	124	290	300

2020 - Non contractual document - Reproduction forbidden without prior authorization



HEAD OFFICE - FACTORY

Atatürk Sanayi Bölgesi Hadimköy Mahallesi Mustafa İnan Caddesi No: 44 Arnavutköy - İSTANBUL
 Tel: +90 212 771 01 45 (pbx) | Fax: +90 212 771 47 27
 info@ayvaz.com | www.ayvaz.com

Cona Caserta/Italy

Tel: +39 0823 187 3988
 rmolaro@ayvaz.com

Ayvaz Germany Viernheim/Germany

Tel: +49 62046014399
 germany@ayvaz.com

Ayvaz Ukraine Kiev/Ukraine

Tel: +380 44 390 57 57
 info@ayvaz.com.ua

Tricorr Warsaw/Poland

Tel: +48 530 030 810
 +48 533 603 335
 tricorr@tricorr.eu

Ayvaz Azerbaijan Baku/Azerbaijan

Tel: +99 (455) 579-84-32
 ahayatov@ayvaz.com

Ayvaz Egypt Cairo/Egypt

Tel: +20 122 819 78 29
 andrew.eid@ayvaz.com

Ayvaz Gulf Dubai/U.A.E

Tel: +971 563550822
 +971 501306871
 mideast@ayvaz.com

Ayvaz China Ningbo/China

Tel: +86 152 5830 7361
 msahin@ayvaz.com

Ayvaz Kazakhstan LLP Almaty/Kazakhstan

Tel: +7 (727) 327 97 57
 info_kz@ayvaz.com

Ayvaz N Isperih/Bulgaria

Tel: +359 8431 27 32
 office@ayvaz-n.eu

Ayvaz Serbia Belgrade/Serbia

Tel: +381 61 658 70 52
 yakbiyik@ayvaz.com

Ayvaz Vietnam HCMC/Vietnam

ggursoy@ayvaz.com
 Tel: +84 89 8508345

Ayvaz Americas Rhode Island/USA

Tel: +1 401 737 8380
 americas@ayvaz.com