

SK-51

FLOAT TYPE STEAM TRAP

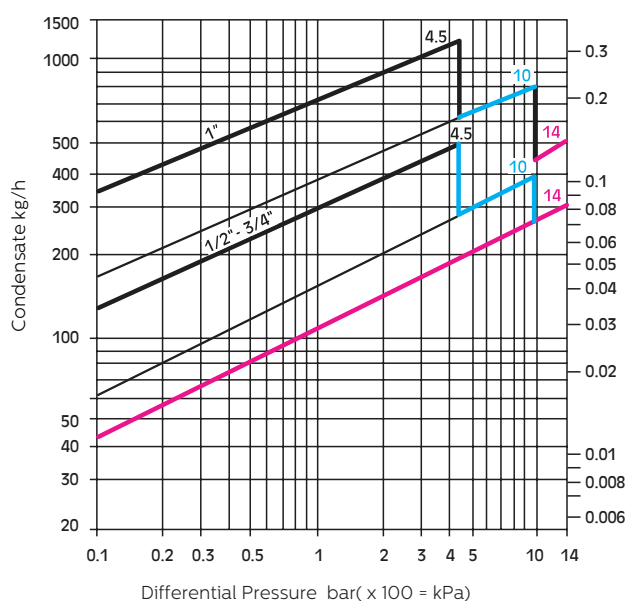
GENERAL FEATURES

Ayvaz SK-51 float steam traps especially perform continual evacuation at the steam saturation temperature. Ayvaz SK-51 doesn't affect instantaneous and large pressure shift. SK-51 is mainly applied at the systems where the condensate is evacuated rapidly and it is also ideal for automatic temperature control system.

Installation:

SK-51 can be used vertically as the inlet to stay up the top and the outlet to remain at the bottom. It can also be installed horizontally from right to the left or opposite way. If it is not indicated differently in the order sheet, it will be assumed as right to the left. Will be assumed as right to the left. Cover part can be arranged according to horizontal or vertical installation type.

(1/2" - 3/4" - 1")



Discharge Chart:

- Red Chart** : $\Delta p = 14$ bar
- Blue Chart** : $\Delta p = 10$ bar
- Black Chart** : $\Delta p = 4.5$ bar

Product Features:

- Body:** Ductile Iron GGG 40.3
- Cover:** Ductile Iron GGG 40.3
- Internals and Float:** Stainless Steel
- Connection:** Flanged and Threaded

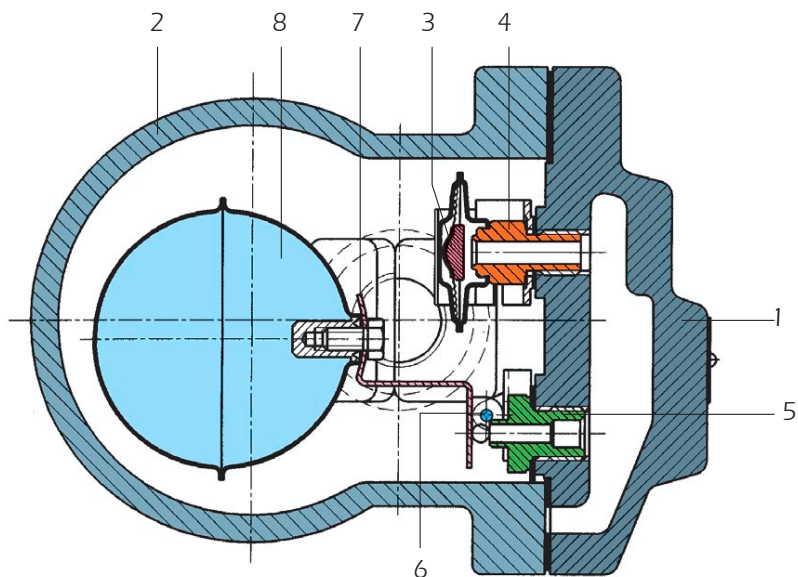
OPERATING CONDITIONS	
Max. Operating Pressure	16 bar
Max. Differential Pressure (ΔP)	4.5-10-14 bar
Max. Operating Temperature	250 °C



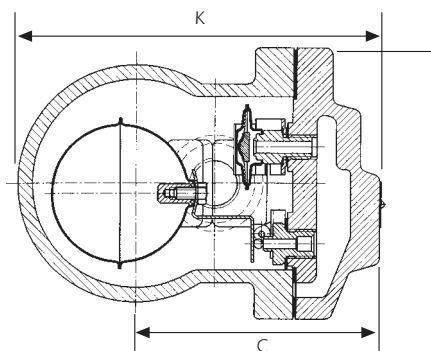
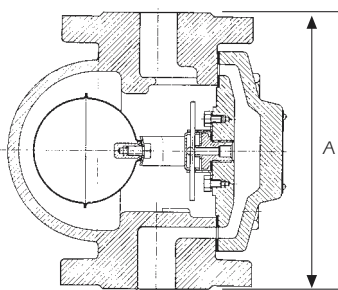
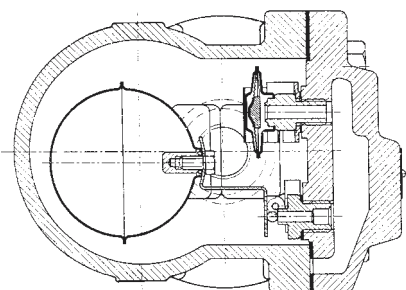
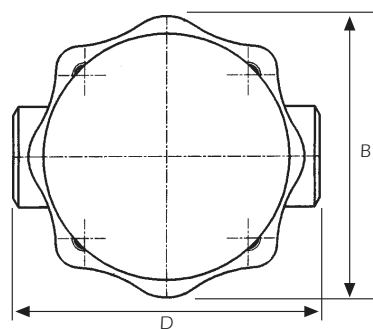
* Please ask to our sales team for different pressures and diameters.

SK-51 FLOAT TYPE STEAM TRAP

CONSTRUCTION



PART LIST		
NO	PART NAME	MATERIAL
1	Cover	Ductile Iron GGG 40.3
2	Body	Ductile Iron GGG 40.3
3	Thermostatic Capsule	Stainless Steel
4	Air Drain Unit	Stainless Steel
5	Condensate Drainer	Stainless Steel
6	Orrifice	Stainless Steel
7	Float Lever	Stainless Steel
8	Float	Stainless Steel



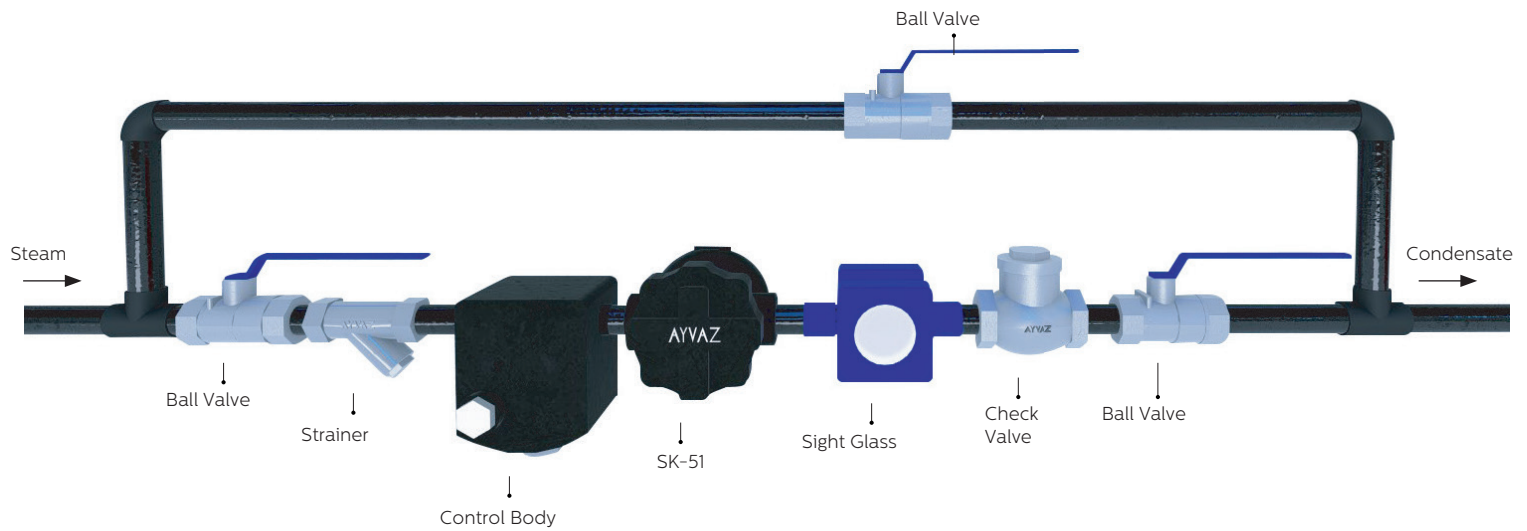
DIMENSIONS

SIZE	ARTICLE NO	FLANGED				
		A (mm)	K (mm)	B (mm)	C(mm)	D (mm)
DN 15	703200102000	150	150	108	68	122
DN 20	703200102003	150	150	108	68	122
DN 25	703200102010	160	167	108	107	145

SK-51 FLOAT TYPE STEAM TRAP

INSTALLATION

3D INSTALLATION SAMPLE



2018 - Non contractual document - Reproduction forbidden without prior authorization



HEAD OFFICE - FACTORY

Atatürk Sanayi Bölgesi Hadımköy Mahallesi Mustafa İnan Caddesi No: 44 Arnavutköy - İSTANBUL
 Tel: +90 212 771 01 45 (pbx) | Fax: +90 212 771 47 27
 info@ayvaz.com | www.ayvaz.com

Cona Caserta/Italy

Tel: +39 0823 187 3988
 rmolaro@ayvaz.com

Ayvaz Germany Vierenheim/Germany

Tel: +49 62046014399
 germany@ayvaz.com

Ayvaz Ukraine Kiev/Ukraine

Tel: +380 44 390 57 57
 info@ayvaz.com.ua

Tricorr Warsaw/Poland

Tel: +48 530 030 810
 +48 533 603 335
 tricorr@tricorr.eu

Ayvaz Azerbaijan Baku/Azerbaijan

Tel: +99 (455) 579-84-32
 ahayatov@ayvaz.com

Ayvaz Egypt Cairo/Egypt

Tel: +20 122 819 78 29
 andrew.eid@ayvaz.com

Ayvaz Gulf Dubai/U.A.E

Tel: +971 563550822
 +971 501306871
 mideast@ayvaz.com

Ayvaz China Ningbo/China

Tel: +86 152 5830 7361
 msahin@ayvaz.com

Ayvaz Kazakhstan LLP Almaty/Kazakhstan

Tel: +7 (727) 327 97 57
 info_kz@ayvaz.com

Ayvaz N Ispirih/Bulgaria

Tel: +359 8431 27 32
 office@ayvaz-n.eu

Ayvaz Serbia Belgrade/Serbia

Tel: +381 61 658 70 52
 yakbiyik@ayvaz.com

Ayvaz Vietnam HCMC/Vietnam

Tel: +84 89 8508345

Ayvaz Americas Rhode Island/USA

Tel: +1 401 737 8380
 americas@ayvaz.com