



03 Datasheet - J4C 20

GENERAL CHARACTERISTICS

MATERIAL:

Body: Anticorrosive Polyamide, Grey colour / **Optional:** Polypropilene V0, Black colour.
Cover: Anticorrosive Polyamide, Red colour / **Optional:** Polypropilene V0, Natural colour.
Output drive: Zamak, Zinc plated / **Optional:** Zamak, TEFLON coated
Flange: ZamaK and Zinc plated / **Optional:** Zamak and TEFLON coated.
Main external shaft: Anticorrosive Polyamide
External screws: Stainless Steel
Gears: Steel and Polyamide
Visual position indicator: Polyamide
Dome: Polycarbonate
Adjustable internal cams: Polyamide



Electronic Torque Limiter function
Electric motor: 24VDC Brushless motor
Insulation: Class B
(IEC 60034) Service: S4

Modelo	S20	B20
Voltage VDC/VAC 50/60Hz-0/+5%	24-240 VDC/VAC	12 VDC/VAC ONLY

Model	S20/B20
Operation time unload	9 Sec./90°
Maximum torque break	25 Nm / 221 lb/in
Maximum operational torque	20 Nm / 177 lb/in
Duty rating	75 %
Max. Working angle	0° to 270°
Limit switch	4 SPST NO micro (2 motor stop and 2 confirmations)
Automatic heater	3,5 W
Big Plug	EN175301-803 FORM A
Small Plug	DIN43650/C
Protection IEC 60529 rating	IP67
Temperature	-20°C +70°C / -4°F +158°F
ISO 5211 Plate	Standard: F03/F04/F05 Optional: F07 *17mm
DIN 3337 Female output drive	Standard: *14 Optional: *9, *11mm
Weight	1,8 Kg

Options

J4C 20/85 KIT DPS digital positioner:	4-20mA, 0-20mA, 0-10V or 1-10V
J4C 20/85 KIT BSR emergency fail safe kit system by battery	NC- NO
Potentiometer	1K, 5K or 10K
3 position actuator	0°-45°-90° or 0°-90°-180°

Note: Technical data are the same despite the different casings.

[INDEX](#)



TABLE OF CONSUMPTIONS - ON-OFF ACTUATOR

J4C 20 Consumption		Unload		Max. Operational Torque 20Nm		Max. Torque Break 25Nm	
Voltage	Model	A	W	A	W	A	W
12 VDC	B20	0,75	9,06	1,80	21,60	1,95	23,36
24 VDC	S20	0,45	10,77	0,90	21,49	0,97	23,39
48 VDC	S20	0,21	9,93	0,42	20,38	0,46	22,07
110 VDC	S20	0,07	8,00	0,13	14,30	0,14	15,70
12 VAC	B20	1,04	12,51	1,85	22,18	2,28	27,32
24 VAC	S20	0,59	14,20	1,12	26,77	1,28	30,62
48 VAC	S20	0,34	16,37	0,69	33,16	0,75	36,22
110 VAC	S20	0,14	15,73	0,27	29,52	0,30	32,67
240 VAC	S20	0,10	23,76	0,15	36,43	0,16	39,07

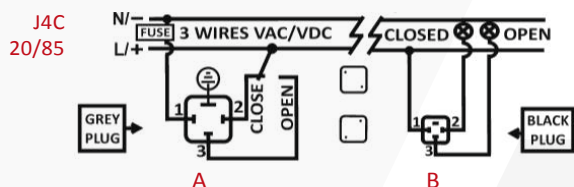
TABLE OF CONSUMPTIONS - DPS ACTUATOR

J4C 20 Consumption		Unloaded		Max. Operational Torque 20Nm		Max. Torque Break 25Nm	
Voltage	Model	DPS		DPS		DPS	
		A	W	A	W	A	W
12 VDC	B20	0,84	10,08	2,02	24,19	2,18	26,21
24 VDC	S20	0,50	12,10	1,01	24,19	1,09	26,07
48 VDC	S20	0,24	11,29	0,47	22,58	0,52	24,73
110 VDC	S20	0,08	8,62	0,15	16,02	0,16	17,25
12 VAC	B20	1,16	13,98	2,07	24,86	2,55	30,64
24 VAC	S20	0,66	15,86	1,25	30,11	1,43	34,41
48 VAC	S20	0,38	18,28	0,77	37,09	0,84	40,32
110 VAC	S20	0,16	17,25	0,30	33,26	0,34	36,96
240 VAC	S20	0,11	26,88	0,17	40,32	0,18	43,01





EXTERNAL CONNECTING DIAGRAM (STANDARD)



STANDARD MODE · 3 WIRES ON - OFF

A = Power supply plug

A: VAC 3 WIRES (Grey plug)

PIN 1 = Neutral + PIN 2 = Phase = Close

PIN 1 = Neutral + PIN 3 = Phase = Open

A: VDC 3 WIRES (Grey plug)

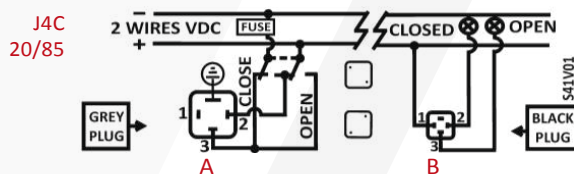
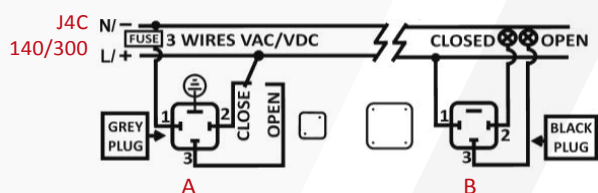
PIN 1 = (-) Negative + PIN 2 = (+) Positive = Close

PIN 1 = (-) Negative + PIN 3 = (+) Positive = Open

B = Volt free contact, plug

PIN 1 / PIN 2 = Close

PIN 1 / PIN 3 = Open



STANDARD MODE · 2 WIRES ON - OFF

A = Power supply plug

A: VDC 2 WIRES (Grey plug)

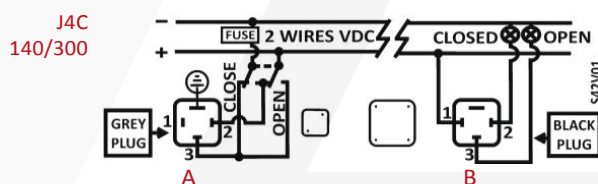
PIN 2 = (+) Positive + PIN 3 = (-) Negative = Close

PIN 2 = (-) Negative + PIN 3 = (+) Positive = Open

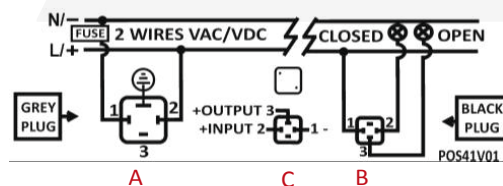
B = Volt free contact plug

PIN 1 / PIN 2 = Close

PIN 1 / PIN 3 = Open



J4C 20/85



POSITIONER

A = Power supply plug

A: VAC 2 WIRES (Grey plug)

PIN 1 = Neutral + PIN 2 = Phase = Power supply plug

A: VDC 2 WIRES (Grey plug)

PIN1=(-) Negative + PIN 2=(+) Positive = Power supply plug

B = Volt free contact plug

PIN 1 / PIN 2 = Closed

PIN 1 / PIN 3 = Open

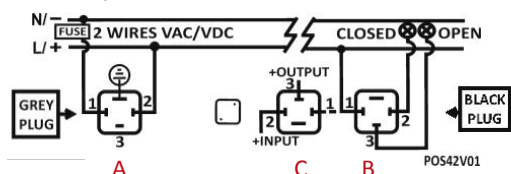
C = Instrumentation Signal

C: Input signal : 4/20mA or 0/10V

PIN 1 = (-) Negative + PIN 2 = (+) Positive = Input signal

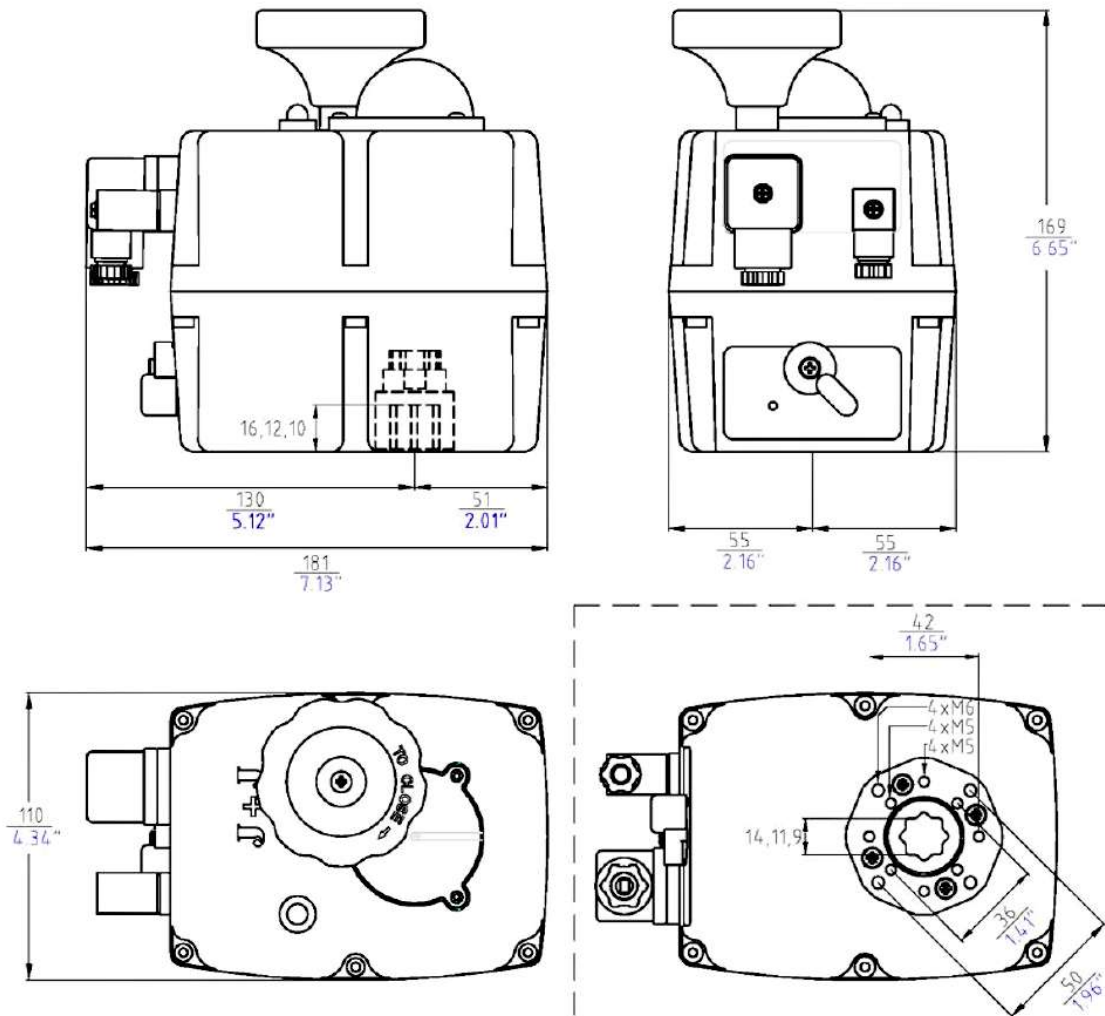
PIN 1 = (-) Negative + PIN 3 = (+) Positive = Output signal

J4C 140/300



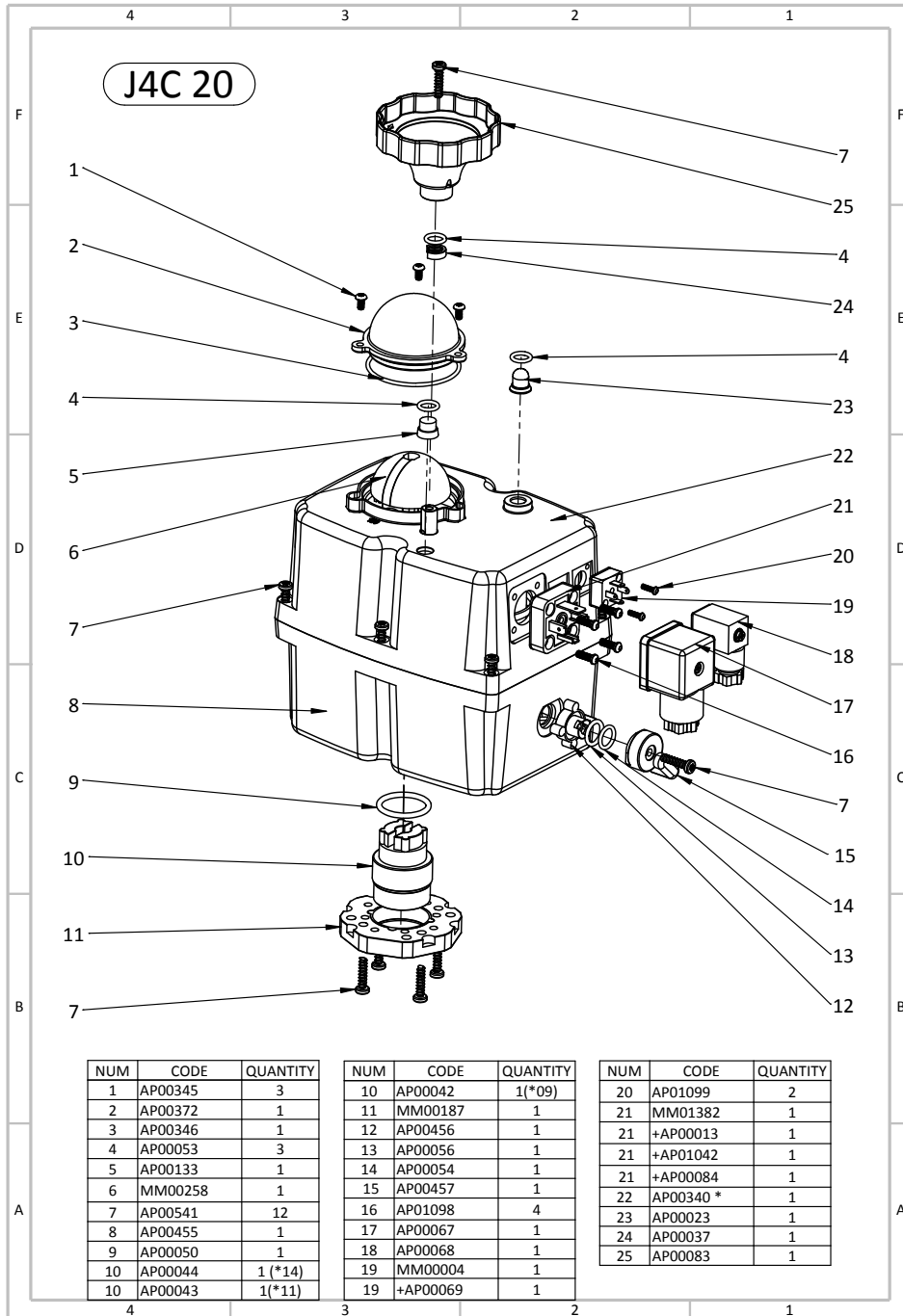


J4C 20 SIZES



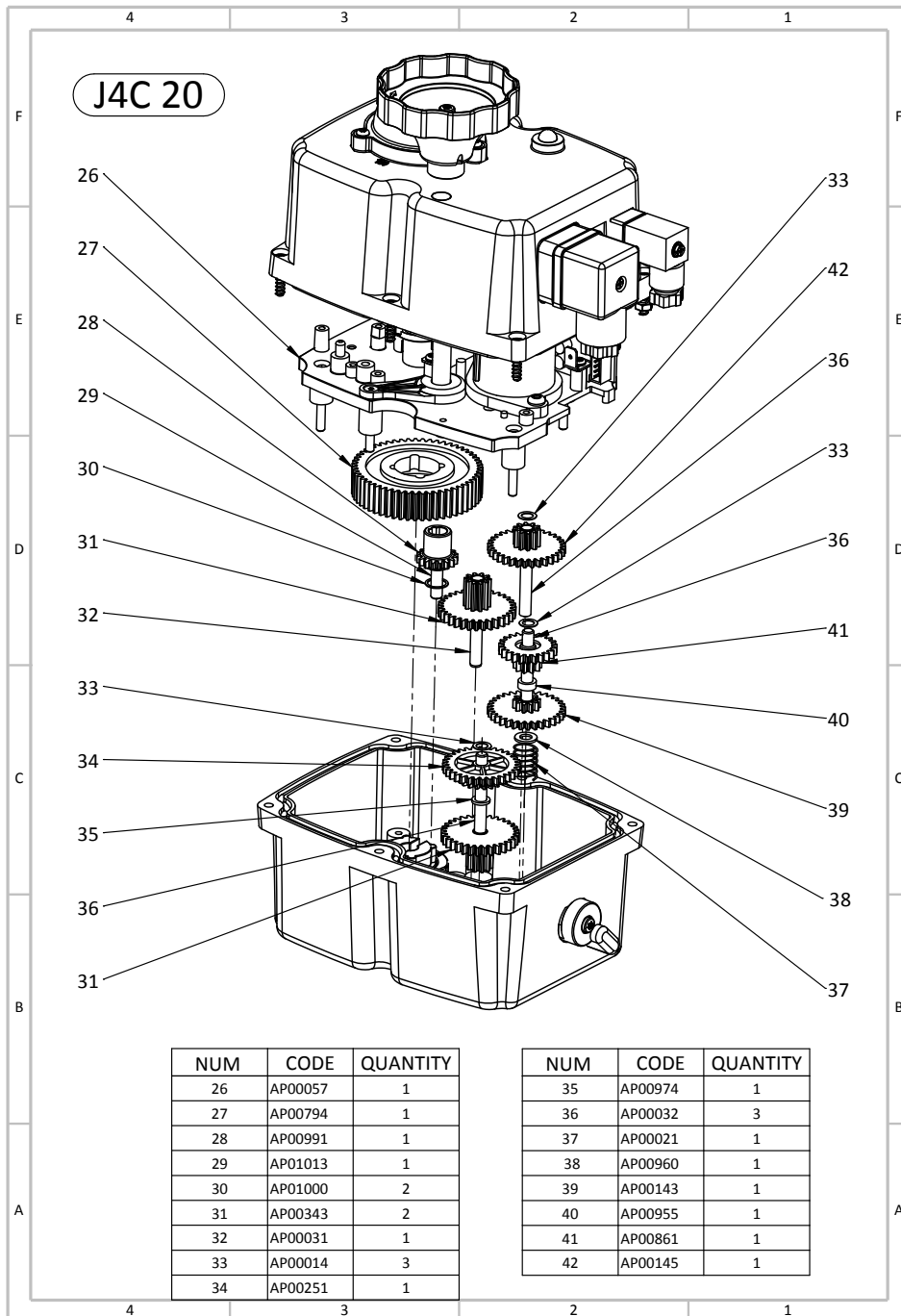


Exploded View



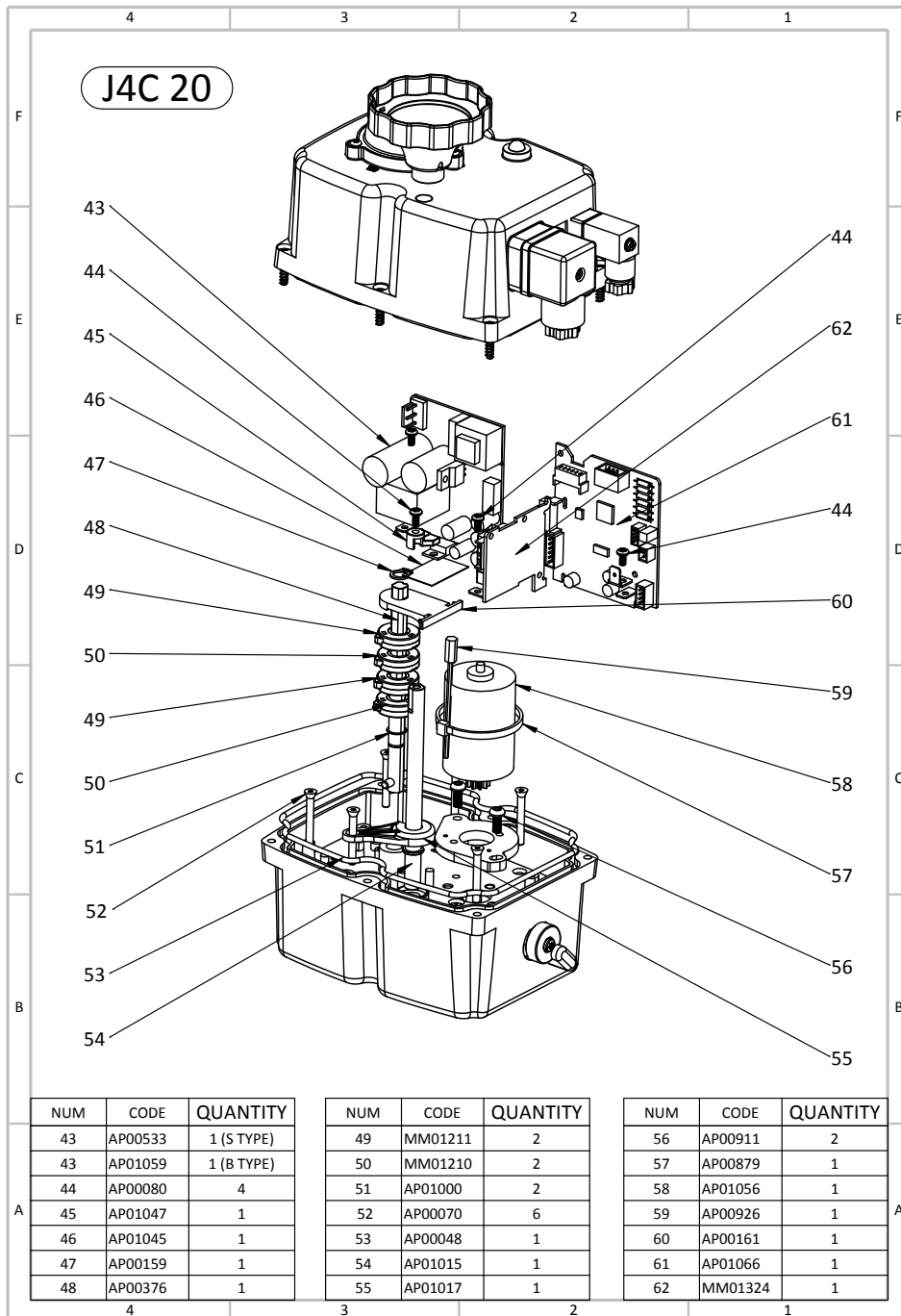


Exploded View





Exploded View





01 ACTUATOR PART LIST

MODELS: S20, S35, S55, S85, B20, B35, B55, B85





MODELS: S140, S300, B140, B300





02 J4C SERIES

READ THESE INSTRUCTIONS BEFORE CONNECTING THE ACTUATOR. DAMAGE CAUSED BY NON COMPLIANCE OF THESE INSTRUCTIONS IS NOT COVERED BY OUR WARRANTY.

J4C Electric actuators operate with the use of live electricity. It is recommended that only qualified electrical engineers be allowed to connect or adjust these actuators.

VOLTAGE TO BE CONNECTED

All our actuators model S20 to S300 are ready to work from 24-240 VDC/VAC.

All our actuators model B20 to B300 are ready to work at 12 VDC/VAC ONLY.

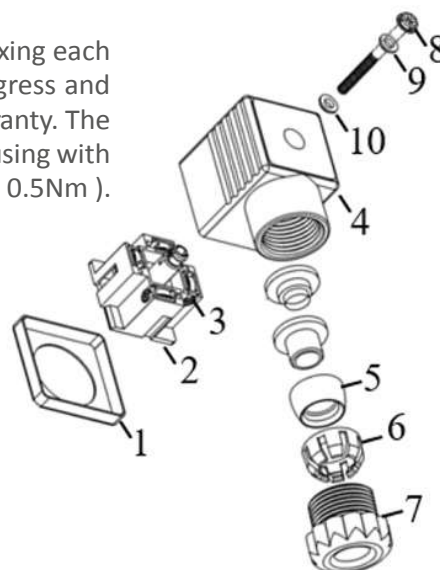
ELECTRICAL CONNECTORS

Warning: Before connecting ensure that the voltage to be applied to the actuator is within the range shown on the identification label. The supplied electrical connectors, used to connect to the actuator are DIN plugs. Ensure the diameter of cable to be used conforms to the maximum and minimum requirements of the DIN plugs to maintain water tightness (Fig.1).

CONNECTOR	SMALL BLACK		BIG GREY or BLACK	
	DIN43650/C		EN175301-803 FORM A	
MODEL	min Ø	máx. Ø	min Ø	máx. Ø
J4C 20 a 300	5mm	6mm	8mm	10,5mm

Warning: Ensure that the square rubber seal is in place when fixing each DIN plug to the actuator. Failure to do so could allow water ingress and damage caused by this installation error will invalidate any warranty. The DIN plugs are fixed to their respective bases on the actuator housing with a screw. Do not over tight the screw (8) when assembling (Max. 0.5Nm).

- | | |
|-------------------------------|------------------------|
| 1. Gasket | 6. Grommet |
| 2. Terminal strip | 7. Gland - nut |
| 3. Cable fixing screws | 8. Fixing screw |
| 4. Housing | 9. Washer |
| 5. Washer | 10. Gasket |





ID ACTUATOR LABEL

The diagram shows an actuator label with the following fields and features:

- 1** - MOD: S20
- 2** - VOLTAGE: 24-240 DC OR AC (50/60HZ) (PATENTED)
- 3** - TEMPERATURE: -20°C + 70°C DUTY: 75%
- 4** - WORKING TIME: 9 SEC / 90°
- 5** - WORKING ANGLE: 0°-90°
- 6** - 14 F03/04/05 IP67
- 8** - MAX. TORQUE: 25Nm
- 9** - SERIAL N°: 00000000000
- 10** - Barcode
- 11** - SERIE: J4C
- 12** - DUTY: 75%
- 13** - QR code
- 14** - CE mark
- 15** - UKCA mark
- 16** - UKCA mark
- 17** - Quality Control mark
- 18** - Made In Spain
- 19** - DPS OPTION: IN/OUT
- 20** - BSR OPTION
- 21** - POTENTIOMETER OPTION

DPS OPTION: IN/OUT				BSR OPTION		POTENTIOMETER OPTION	
4-20mA <input type="checkbox"/>	0-20mA <input type="checkbox"/>	NC <input type="checkbox"/>	NO <input type="checkbox"/>	BSR NC <input type="checkbox"/>	1K <input type="checkbox"/>	10K <input type="checkbox"/>	
0-10V <input type="checkbox"/>	1-10V <input type="checkbox"/>	STAYS PUT <input type="checkbox"/>		BSR NO <input type="checkbox"/>		5K <input type="checkbox"/>	
OUT different of IN:							

- 1 - Actuator Model.
- 2 - Voltage to be connected.
- 3 - Actuator ready to bear between -20°C & + 70°C.
- 4 - Time the actuator needs to run to the indicated degrees.
- 5 - Working angle.
- 6 - Plate to fix the valve to the actuator, following ISO 5211.
- 7 - Actuator with the IP67 protection.
- 8 - Maximum Operational torque.
- 9 - Actuator serial number.
- 10 - Bar code of the serial number.
- 11 - Actuator Series.
- 12 - Duty: 75%. Example: S20 Model - Maneuver time = 10sec. Time between maneuvers = 3.3 sec.
- 13 - QR code for manufacturing.
- 14 - Actuator with the CE certificate.
- 15 - This product should not be disposed of as unsorted waste.
- 16 - UK Conformity Assessed.
- 17 - Quality Control Conformity.
- 18 - Country where the equipment was manufactured.
- 19 - DPS options.
- 20 - BSR options.
- 21 - POTENTIOMETER options.



LOCAL VISUAL POSITION INDICATOR

All **J4C actuators** are supplied with a local visual position indicator comprises a black base with a yellow insert that shows, both the position and direction of rotation (**Fig.6**).


The open and close positions have the following logos molded into the top cover OPEN 90 and CLOSE 0. **Opening =**  **Closing =** 



Fig. 6 0 = CLOSE



Fig. 6 90 = OPEN

LOCAL VISUAL POSITION INDICATOR



TWO YELLOW INDICATORS:
For 3 way ball valve, L port.



THREE YELLOW INDICATORS:
For 3 way ball valve, T port.



EMERGENCY MANUAL OVERRIDE FACILITY:

The **J4C** has 2 operating modes, automatic and manual, the required mode is selected by using a lever on the lower half of the actuator housing (Fig 7).

The 2 positions are marked:

AUTO = Automatic operation

MAN = Manual operation

Warning: Do not remove the selector lever securing screw, as this will allow its internal mechanism to become loose and will cause irreparable damage to the actuator's gearbox. Removing this screw will invalidate the warranty.

When **"AUTO"** position is selected:

The hand wheel, of models 20,35,55, and 85 rotates automatically, it is very important not to block it, otherwise the actuator could suffer unrepairable damages.



Fig. 7 J4C 20 TO 85

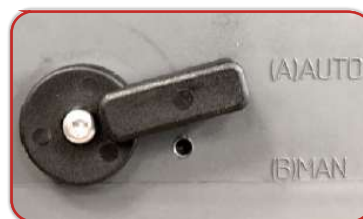
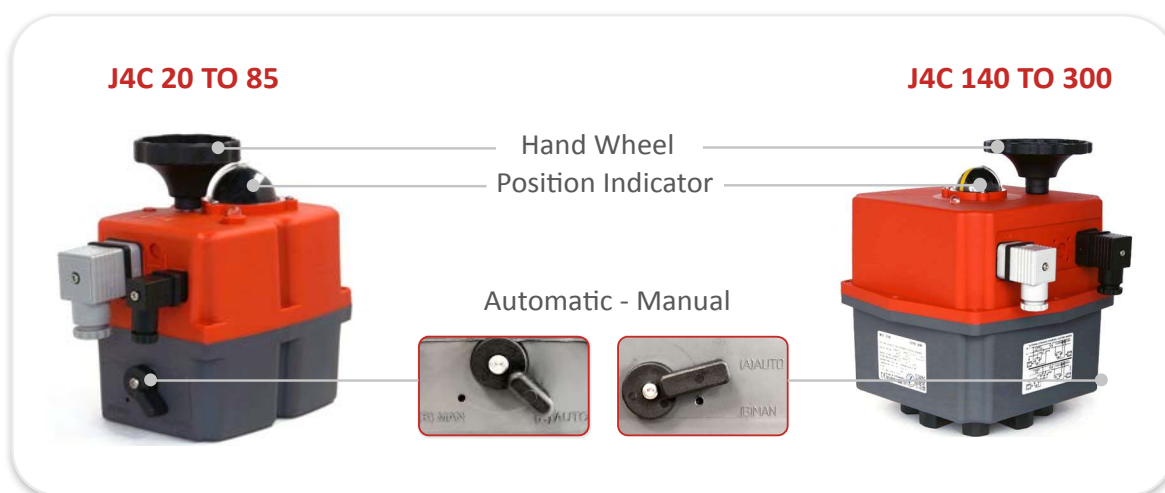


Fig. 7 J4C 140 TO 300



When “MAN” function is selected:

- 1 - The electronic system cuts the power to the motor after a few minutes.
- 2 - The mechanical connection between the motor and the output shaft is disconnected.
- 3 - The desired position can be achieved by using the hand wheel.
- 4 - There are two ways to re-activate the motor after being isolated whilst in “MAN” position:
 - a) With the actuator in “MAN” function, turn the hand wheel to one of the end positions (open or close). If the end position switch is activated the motor stops. Now change the manual override from “MAN” to “AUTO”, and the actuator is ready to operate automatically again.
 - b) Change from “MAN” mode to “AUTO”. Deactivate the supply voltage for a few seconds which resets the actuator and it could operate automatically again.

ADJUSTMENT OF THE CAMS

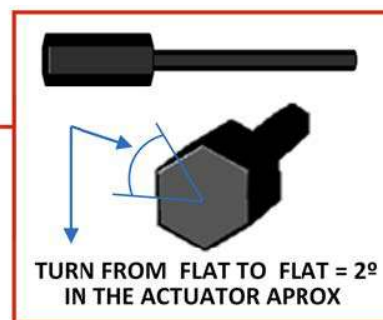


!WARNING! RISK OF ELECTRIC SHOCK INSIDE THE ACTUATOR. AUTHORIZED PERSONNEL ONLY

Under normal conditions, the actuator may only be operated with the closed cover. If work is performed on the actuator with the removed cover, the supply and control voltage must first be disconnected. Adjustments, which need to be done in the energized state, should be carried out with special insulated tools.

How to do it: Tolling: One special plastic wrench (is supplied together with the actuator). The wrench is tied together with the motor by using one plastic clamp.

To move the cams, introduce the special plastic wrench in the hole of the cam and turn it round (see both options on the enclosed pictures).



POSITION OF THE CAMS



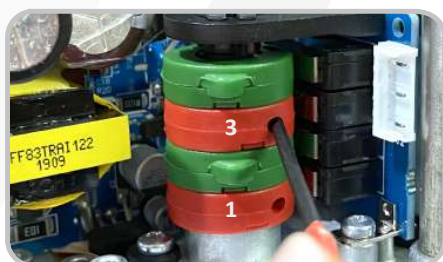
CAM

4

3

2

1



Cams 1 and 3

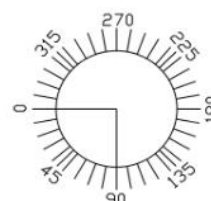


Cams 2 and 4

- 1) Cam 1 is to adjust the close position.
- 2) Cam 2 is to adjust the open position.
- 3) Cam 3 is to adjust the close position confirmation.
- 4) Cam 4 is to adjust the open position confirmation.

To ensure that the position confirmation works, adjust the confirmation cams (3 & 4) 3° (+/- 1°) before the motor stop.

The standard actuators are always adjusted at 0° (close) and 90° (open).



1) To adjust the close position at less than 0°.

Turn the wrench to clockwise direction - cams 1 and 3.

The cam 3 (confirmation) should press the lever of the micro switch a bit earlier than the cam 1.

cams 1 / 3



2) To adjust the close position at more than 0°.

Turn the wrench to anti-clockwise direction - cams 1 and 3.

The cam 3 (confirmation) should press the lever of the micro switch a bit earlier than the cam 1.

cams 1 / 3



3) To adjust the open position to more than 90°.

Turn the wrench to anti-clockwise direction - cams 2 and 4.

The cam 4 (confirmation) should press the lever of the micro switch a bit earlier than the cam 2.

cams 2 / 4



4) To adjust the open position to less than 90°.

Turn the wrench to clockwise direction - cams 2 and 4.

The cam 4 (confirmation) must press the lever of the micro switch a bit earlier than the cam 2.

cams 2 / 4





ACTUATOR WITH BSR

ACTUATOR OPERATIONAL STATUS

Without power supply	
In open position	
In close position	
Opening	
Closing	
Torque limiter function on, moving from close to open	
Torque limiter function on, moving from open to close	
Actuator in MANUAL mode (Exceeded time)	
The actuator has stopped (*)	
In middle position (for a 3 position actuator only)	
Actuator without power, working with the BSR NO system. Max.3 min., (led off)	
Actuator without power, working with the BSR NC system. Max.3 min., (led off)	
Battery protection. Danger, the battery needs recharging. BSR blocked	

(*) Actuator powered on to Open and Close position at the same time.

ACTUATOR WITH DPS

ACTUATOR OPERATIONAL STATUS

Without power supplied	
Motor stop	
Opening	
Closing	
Self adjusting configuration	
Torque limiter function on, moving from close to open	
Torque limiter function on, moving from open to close	
Instrum. Signal overpassed. Blocked actuator. Need a re-set.	
Actuator in MANUAL mode (exceeded time)	
No Instrum. Signal pick-up. 4-20mA and 1-10V only.	





J.J. BCN INTERNACIONAL, S.A.
Poligono Industrial Sud
C/.De l'Orfeó Català, 7
E – 08440 Cardedeu (Barcelona)
0034938713304
0034938713272

Degrees of protection provided by enclosures (IP CODE)

IEC 60529:1989+AMD1:1999+AMD2:2013 CSV Consolidated version

For our electric actuators of the J4C series.

Type ranges: S20, S35, S55, S85, S140 and S300 – B20, B35, B55, B140 and B300.

In versions: standard, DPS, BSR, DPS + BSR, Pot.

J.J. BCN INTERNACIONAL S.A., as a manufacturer declares herewith, that the above-mentioned part-turn actuators meet the degrees of protection provided by enclosures (IP CODE): UNE 20324:1993 + 1M: 2000 + ERR: 2004 (EN 60529:1991 + ERR: 1993 + A1:2000).

The following harmonized standards have been applied:

UNE-EN 60529:2018

The manufacturer commits to submitting the documents to the competent national authority, via electronic transmission upon request.

The part turn actuators further comply with the requirements of the following directives and the respective approximation of national laws, as well as the respective harmonized standards as listed below:

(1) Degrees of protection provided by enclosures (IP CODE)

UNE-EN 60529:2018

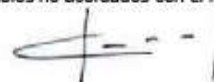
IEC 60529:1989+AMD1:1999+AMD2:2013 CSV Consolidated version

IP 67

Cardedeu 2018-10-01

J. Chaves
Technical Manager

Esta declaración no supone ningún tipo de garantía. Se deben observar las instrucciones de seguridad de la documentación del producto suministrada. Esta declaración pierde su validez si en los equipos se realizan cambios no acordados con el fabricante.



JJ. BCN INTERNACIONAL, S.A.
 Poligono Industrial Sud
 C/.De l'Orfeo Català, 7
 E - 08440 Cardedeu (Barcelona)
 0034938713304



Original Declaration of Incorporation of Partly Completed Machinery (EC Directive 2006/42/EC)
 and EC Declaration of Conformity in compliance with the Directives on EMC and Low Voltage

For electric actuators of the series **J4C** type ranges:
 S20, S35, S55, S85, S140, S300, B20, B35, B55, B85, B140 & B300

In versions: Standard, DPS, BSR, DPS + BSR, PotI

JJ. BCN INTERNACIONAL S.A. as manufacturer declares herewith, that the above-mentioned part-turn actuator meet the following basic requirements of the EC Machinery Directive 2006/42/EU: Annex I. articles

1.1.2, 1.1.3, 1.1.5, 1.2.1, 1.2.6, 1.3.1, 1.3.7, 1.5.1, 1.6.3, 1.7.1, 1.7.3, 1.7.4

The following harmonised standards within the meaning of the Machinery Directive have been applied:

EN 12100:2012 ISO 5211:2017

EN 60204 - 1:2006

With regard to the partly completed machinery, the manufacturer commits to submitting the documents to the competent national authority via electronic transmission upon request. The relevant technical documentation pertaining to the machinery described in Annex VII, part B has been prepared.

J+J part turn actuators are designed to be installed on industrial valves. J+J part turn actuators must not be put into service until the final machinery into which they are to be incorporated has been declared in conformity with the provisions of the EC Directive 2006/42/EC.

As partly completed machinery, the part turn actuators further comply with the requirements of the following directives and the respective approximation of national laws as well as the respective harmonised standards as listed below:

- (1) Directive relating to Electromagnetic Compability (EMC) (2014/30/EU)
 EN 61000-6-2: 2006 + E:2009
 EN 61000-6-4: 2007 + E+/A1:2011
- (2) Low Voltage Directive (2014/35/EU)
 EN 60204-1: 2007 + Corr:2010 Security
 EN 50178: 1998

Year of affixing of the CE marking: 2008

Cardedeu 2018-10-01

J. Chaves
 Technical Manager



This declaration does not contain any guarantees. The safety instructions in product documentation supplied with the devices must be observed. Non concerted of the devices voids this declaration.



February 2022.

REACH Certificate of Compliance

J.J. BCN INTERNACIONAL, S.A. is committed to manage the use of chemical substances in accordance with governmental regulations, industry standards, and customer-specific requirements in order to protect the environment.

We hereby certify that, no J.J. BCN INTERNACIONAL,S.A. products contain any of the Substances of Very High Concern (201 SVHC list released in June 2019) listed by the European Chemicals Agency (ECHA) under provisions of Regulation (EC) N° 1907/2006 of the European Parliament, in a proportion higher than 0.1% of product weight per article.

Even though J.J. BCN INTERNACIONAL,S.A. does not supply neither substances, nor preparation as they are concerned, but supplies finished product , is adhered to article 7.

Nevertheless, we understand our commitment with the protection of the environment and, due to this fact we have informed our suppliers about their responsibilities and have required their own REACH Certificates, when applicable.

Quality Dep.

J.J. BCN INTERNACIONAL,S.A.
Pol. Ind. Sud.
C/ de l'Orfeó Català, nº 7
08440 – CARDEDEU
BARCELONA
Tel. +34 938 713 304
Fax. +34 938 713 272

RoHS CERTIFICATE OF COMPLIANCE



The undersigned:

J.J. BCN INTERNACIONAL, S.A.
Orfeo Català, 7
08440 Cardedeu (Spain)

And on behalf:

Jorge Chaves Garcia
Technical Manager

DECLARES: Under its exclusive responsibility that:

The J4C ELECTRIC ACTUATORS series
Manufactured by: J.J. BCN INTERNACIONAL, S.A.
In: Spain
Model: S20, S35, S55, S85, S140, S300, B20, B35, B55, B85, B140 & B300
Options: DPS, BSR, DPS+BSR & POT

Accomplishes with the following requirements:

EC directive 2015/863/EU (the RoHS Directive):

The maximum concentration value of the restricted substances by weight is:

- Lead (Pb) < 0.1%
- Mercury (Hg) < 0.1%
- Hexavalent Chromium (Cr VI) < 0.1%
- Polybrominated Biphenyls (PBB)..... < 0.1%
- Polybrominated Diphenyl Ethers (PBDE)..... < 0.1%
- Cadmium (Cd) < 0.01%
- Bis(2-Ethylhexyl) phthalate (DEHP)..... < 0.1%
- Benzyl butyl phthalate (BBP) < 0.1%
- Dibutyl phthalate (DBP) < 0.1%
- Diisobutyl phthalate (DIBP) < 0.1%

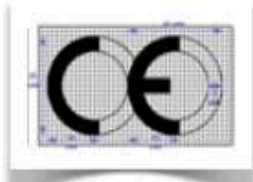
Cardedeu, September 2019

J.Chaves
Technical Manager



Laboratorio de Ensayos, marcado CE

Test Laboratory, CE mark



Marca: Brand:	J+J
Modelos: Models:	J4C S20/S35/S55/S85
Descripción: Description:	Electric actuator
Directivas: Directives:	2014/35 /UE (LVD) Low Voltage Directive 2014/30/UE (E. M. C.)
Ensayos y medidas. Norma: Tests and measurements. Standard:	UNE-EN 60204-1:2007+Corr:2010 UNE-EN 61000-6-2:2008+E:2009 UNE-EN 61000-6-4:2007 +E:2008+/A1:2011

Resultado en el informe de los ensayos Nº.: Show in summary in test report Nº.:	2020-07-010
--	-------------

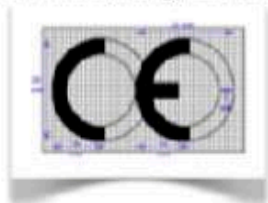
Verificado: Verified:	V
--------------------------	---

Fecha (DD-MM-AAAA): Date(DD-MM-YYYY):	20-07-2020
--	------------

Sello de la compañía y firma: Company seal and signature: F. J. García. Ing. T. Telecom. General manager.	<p>laboratorio de ensayos telpro CE www.elmercadoCE.com</p>
--	---

Laboratorio de Ensayos, marcado CE

Test Laboratory, CE mark



Marca: Brand:	J+J
Modelo: Model:	J4 - J4C :: S140/300
Descripción: Description:	Electric actuator
Directivas: Directives:	2014/35 /UE (LVD) Low Voltage Directive 2014/30/UE (E. M. C.)
Ensayos y medidas. Norma: Tests and measurements. Standard:	UNE-EN 60204-1 2007+Corr:2010 UNE-EN 61000-6-2:2006+E:2009 UNE-EN 61000-6-4:2007 +E:2006 +/A1:2011

Resultado en el informe de los ensayos N°: Show in summary in test report N°:	2018-04-002
--	-------------

Verificado: Verified:	V
--------------------------	---

Fecha (DD-MM-AAAA): Date(DD-MM-YYYY):	04-04-2018
--	------------

Sello de la compañía y firma: Company seal and signature:	laboratorio de ensayos telpro www.elmercado
F. J. García, Ing. T. Telecomunicaciones General manager.	



ISO 9001 REGISTERED

This document certifies that the quality management systems of:

J.J. BCN INTERNACIONAL, S.A.

C/ De l'Orfeó Català, 7 (P.I. Sud) – 08440, CARDEDEU (Barcelona)

have been assessed and approved by QMS Spain to the following Quality management systems, standards and guidelines:

ISO 9001:2015

The approved quality management systems apply to the following:

MANUFACTURING, MARKETING AND TECHNICAL ASSISTANCE OF VALVE ACTUATORS

Original Approval: 03/09/2001

Current Certificate: 28/09/2021

Certificate Expiry: 06/09/2024

Certificate Number: 14127433



This certificate remains valid while the holder maintains their management System in accordance with the published standard.

To check the validity and status of this certificate please send an email to calidad@qms-spain.com

This certificate is the property of QMS Spain and must be returned in the event of cancellation.



On behalf of QMS Spain



07 GUARANTEE

J+J actuators are warranted against defects of workmanship or assembly as follows:

J4C S/B Series: up to 60.000 working cycles or 3 years from their shipment date.

Working conditions of a 75% of duty. Max number of 50 limiter function activations, within 3 years of the warranty period.

OUR WARRANTY INCLUDES SOLELY AND EXCLUSIVELY THE REPAIR OR REPLACEMENT OF THE DEFECTIVE PARTS IN OUR WORKSHOP OR IN THE PLACEMENT OF THE INSTALLATION, AND DOES NOT COVER INDEMNIFICATIONS OR OTHER EXPENSES.

The warranty will be void if the device has been open, if the defects are the result of the misuse or if our products have been handled, repaired or modified outside our workshop or have been installed with materials or by methods not in accordance with our STANDARDS.

The party alleging the existence of a defect of workmanship shall accredit the suitable use of the product and, if appropriate the correct installation of the same.

The expenses of the return and reshipment of the defective materials will be for the account of the buyer.

