

Model 1415

DESCRIPTION

Safety and relief valve, angle type, conventional
 According ASME VIII and XIII
 Direct spring loaded
 Full lift safety valve
 A 216 WCB, WCC, Stainless steel A351 CF3M.
 A217 WC6, LCC, DUPLEX, SUPERDUPLEX (on request)
 Steam, gases, cryogenic fluids, H₂, vapours and liquids
 Cleaned and degreased for oxygen service
 Flanged ASME/ANSI B16.5 ANSI150 / 300 / 600 / 900 / 1500 / 2500
 Seat metal- metal, Stellite, Viton and PTFE
 Set pressure range 0,2 (with bellows 2 barg) to 425 barg
 Tolerance Set pressure $\pm 3\%$
 Overpressure 10%
 European Pressure Equipment Directive PED 2014/68/EU
 CE 0056 Module B
 CE Production Quality Assurance (Module D) ES037955- 1035
 Material test certificate EN 10204 3.1

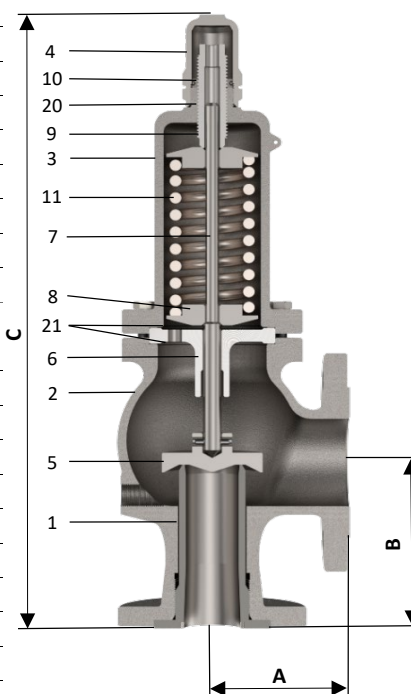
TOSACA, MADE IN SPAIN



MATERIALS

| Item | Components | Carbon steel | Stainless steel | DUPLEX |
|------------------|--------------------|-----------------|-----------------|-----------------|
| 1 | Nozzle | AISI-316L | AISI-316L | EN 1.4462 |
| 2 | Body | A216 WCB | A351 CF3M | EN 1.4462 |
| 3 | Bonnet | A216 WCB | A351 CF3M | EN 1.4462 |
| 4 | Cap | A351 CF8 | A351 CF8 | EN 1.4462 |
| 5 ^{SP} | Disc | AISI-316L | AISI-316L | EN 1.4462 |
| 6 | Guide | AISI-316L | AISI-316L | EN 1.4462 |
| 7 | Push Rod | AISI-316L | AISI-316L | EN 1.4462 |
| 8 | Spring Button | AISI-303 | AISI-303 | EN 1.4462 |
| 9 | Ajusting Screw | AISI-420 | AISI-303 | EN 1.4462 |
| 10 | Tensor Nut | AISI-303 | AISI-303 | EN 1.4462 |
| 11 ^{SP} | Spring | 1.8159 C. S. | AISI-302 | Inconel X 750 |
| 12 | Lever | A351 CF8 | A351 CF8 | A351 CF8 |
| 17 | Release nut | AISI-304 | AISI-304 | AISI-304 |
| 18 ^{SP} | Lever axis | AISI-303 | AISI-303 | AISI-303 |
| 19 | Packing lever axis | AISI-303 | AISI-303 | AISI-303 |
| 20 ^{SP} | Gasket cap | PTFE | PTFE | PTFE |
| 21 ^{SP} | Gasket | Graphite + S.S. | Graphite + S.S. | Graphite + S.S. |
| 22 ^{SP} | Gasket pack. lever | Viton | Viton | Viton |
| 27 ^{SP} | Bellows | AISI-316 TI | AISI-316 TI | AISI-316 TI |
| 28 ^{SP} | Soft seat | Viton / PTFE | Viton / PTFE | Viton / PTFE |

^{SP} Recommended spare parts



OPTIONS

Lifting device
 Sealed packing lever
 Open bonnet
 Soft seat, viton, PTFE.
 Bellows AISI 316TI, Inconel.
 ECTFE powder coating for highly corrosive or ultrapure chemicals

Version 2022

Model 1415

DIMENSIONS

| Letter | Orif. (mm) | Area (mm ²) | ANSI 150 | | | | ANSI 300 | | | | ANSI 600 | | | | |
|--------|------------------|----------------------------|-----------|-----------|-----------|----------------|-----------|-----------|-----------|----------------|-----------|-----------|-----------|----------------|-----|
| | | | A (mm) | B (mm) | C (mm) | Weight (kg) | A (mm) | B (mm) | C (mm) | Weight (kg) | A (mm) | B (mm) | C (mm) | Weight (kg) | |
| D/E | 1/2" D / E 1" | 9,5 /13 | 71/133 | 95 | 95 | 275 | 10 | 95 | 95 | 275 | 10 | 95 | 100 | 275 | 11 |
| | 3/4" D / E 1" | 9,5 /13 | 71/133 | 95 | 95 | 275 | 10 | 95 | 95 | 275 | 10 | 95 | 100 | 275 | 11 |
| | 1" D / E 1" | 9,5 /13 | 71/133 | 95 | 95 | 275 | 10 | 95 | 95 | 275 | 10 | 95 | 100 | 275 | 11 |
| | 1" D / E 2" | 9,5 /13 | 71/133 | 114 | 105 | 275 | 14 | 114 | 105 | 275 | 16 | 114 | 105 | 275 | 18 |
| F | 1 1/2" F 2" | 16 | 201 | 121 | 124 | 315 | 17 | 121 | 124 | 315 | 17 | 152 | 124 | 315 | 20 |
| | 1 1/2" F 2" 300L | 16 | 201 | • | • | • | • | 152 | 124 | 315 | 17 | • | • | • | • |
| G | 1 1/2" G 3" | 21 | 346 | 121 | 124 | 400 | 26 | 121 | 124 | 400 | 26 | 152 | 124 | 400 | 28 |
| | 1 1/2" G 3" 300L | 21 | 346 | • | • | • | • | 152 | 124 | 400 | 26 | • | • | • | • |
| H | 1 1/2" H 3" | 26 | 531 | 124 | 130 | 400 | 26 | 124 | 130 | 400 | 26 | • | • | • | • |
| | 2" H 3" | 26 | 531 | • | • | • | • | 124 | 130 | 400 | 27 | 162 | 154 | 400 | 32 |
| J | 2" J 3" | 32,5 | 830 | 124 | 137 | 400 | 28 | 124 | 137 | 400 | 29 | • | • | • | • |
| | 3" J 4" | 32,5 | 830 | • | • | • | • | 181 | 184 | 595 | 56 | 181 | 184 | 595 | 62 |
| K | 3" K 4" | 40 | 1.195 | 162 | 156 | 595 | 56 | 162 | 156 | 595 | 56 | 181 | 184 | 595 | 62 |
| L | 3" L 4" | 49 | 1.866 | 165 | 156 | 595 | 56 | 165 | 156 | 595 | 56 | • | • | • | • |
| | 4" L 6" | 49 | 1.866 | • | • | • | • | 181 | 179 | 630 | 56 | 203 | 179 | 630 | 90 |
| M | 4" M 6" | 55 | 2.376 | 184 | 178 | 630 | 88 | 184 | 178 | 630 | 90 | 203 | 178 | 630 | 110 |
| N | 4" N 6" | 60 | 2.827 | 210 | 197 | 630 | 88 | 210 | 197 | 630 | 90 | 222 | 197 | 630 | 110 |
| P | 4" P 6" | 73 | 4.185 | 229 | 181 | 630 | 88 | 229 | 181 | 630 | 90 | 254 | 225 | 630 | 120 |
| | 4" P 6" 300L | 73 | 4.185 | • | • | • | • | 254 | 181 | 630 | 90 | • | • | • | • |
| Q | 6" Q 8" | 96 | 7.238 | 241 | 240 | 690 | 140 | 241 | 240 | 690 | 140 | 241 | 240 | 690 | 190 |
| R | 6" R 8" | 115 | 10.387 | 241 | 240 | 690 | 140 | 241 | 240 | 690 | 140 | • | • | • | • |
| | 6" R 10" | 115 | 10.387 | • | • | • | • | 267 | 240 | 795 | 198 | 267 | 240 | 795 | 198 |
| T | 8" T 10" | 147 | 16.972 | 279 | 276 | 800 | 210 | 279 | 276 | 800 | 220 | • | • | • | • |
| V | 10" V 14" | 200 | 31.415 | 406 | 305 | 1.390 | 750 | 406 | 305 | 1.390 | 780 | • | • | • | • |
| W | 12" W 16" | 228 | 40.828 | 406 | 359 | 1.432 | 800 | 406 | 359 | 1.432 | 850 | • | • | • | • |

| Letter | Orif. (mm) | Area (mm ²) | ANSI 900 | | | | ANSI 1500 | | | | ANSI 2500 | | | | Weight |
|--------|---------------|----------------------------|-----------|-----------|-----------|----------------|-----------|-----------|-----------|----------------|-----------|-----------|-----------|----------------|--------|
| | | | A (mm) | B (mm) | C (mm) | Weight (kg) | A (mm) | B (mm) | C (mm) | Weight (kg) | A (mm) | B (mm) | C (mm) | Weight (kg) | |
| D/E | 1 1/2" D 2" | 9,5 /13 | 71/133 | 140 | 105 | 315 | 19 | 140 | 105 | 315 | 24 | • | • | • | • |
| | 1 1/2" D 3" | 9,5 /13 | 71/133 | • | • | • | • | • | • | • | • | 178 | 140 | 325 | 30 |
| F | 1 1/2" F 3" | 16 | 201 | 165 | 124 | 315 | 22 | 165 | 124 | 315 | 22 | 178 | 140 | 325 | 30 |
| G | 1 1/2" G 3" | 21 | 346 | 165 | 124 | 430 | 28 | • | • | • | • | • | • | • | • |
| | 2" G 3" | 21 | 346 | • | • | • | • | 175 | 156 | 444 | 41 | 175 | 156 | 444 | 50 |
| H | 2" H 3" | 26 | 531 | 162 | 154 | 400 | 32 | 162 | 154 | 430 | 45 | • | • | • | • |
| J | 3" J 4" | 32,5 | 830 | 181 | 184 | 595 | 70 | 181 | 184 | 595 | 65 | • | • | • | • |
| K | 3" K 6" | 40 | 1.195 | 216 | 198 | 610 | 90 | 216 | 198 | 610 | 105 | • | • | • | • |
| L | 4" L 6" | 49 | 1.866 | 222 | 197 | 820 | 140 | 222 | 197 | 820 | 120 | • | • | • | • |
| M | 4" M 6" | 55 | 2.376 | 222 | 197 | 690 | 140 | • | • | • | • | • | • | • | • |
| N | 4" N 6" | 60 | 2.827 | 222 | 197 | 820 | 140 | • | • | • | • | • | • | • | • |
| P | 4" P 6" | 73 | 4.185 | 254 | 225 | 630 | 140 | • | • | • | • | • | • | • | • |