



M A D E I N I T A L Y

FFF/REG

BSPP – NPT – SW

IVFL/REG

BW – DIN – ANSI – CLAMP

IVS/REG

BW – DIN – ANSI – CLAMP

**Control Valve
Angle-Seat**



ENGLISH

INDEX

FFF/REG – IVFL/REG – IVS/REG	Page 3
General features	Page 3
Air consumption	Page 3
Table Kv / Δp	Page 4
FFF/REG - Materials	Page 5
IVFL/REG - Materials	Page 6
IVS/REG - Materiali	Page 6
Dimensions	Page 7
Code Description Legend	Page 8



FFF/REG – IVFL/REG – IVS/REG - ANGLE-SEAT CONTROL VALVE

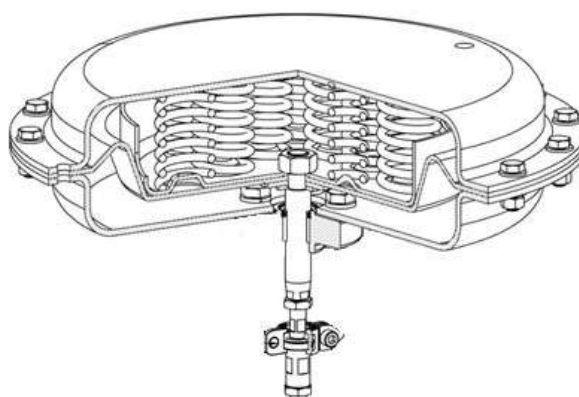
Angle-seat valve with body in A351 CF8M and multi-spring actuator to control process parameters with compact body.

DN:	from DN 8 (1/4") to DN 65 (2"1/2)	
Conessioni:	BSPP – NPT – SW	FFF/REG
	BW - Flange DIN – ANSI	IVFL/REG
	BW - Flange DIN – ANSI	IVS/REG
	Clamp	IVFL/REG- IVS/REG
Packing:	PTFE / PTFE-GR	
Plug Seal:	PTFE	
	PTFE-coated EPDM	
	EPDM	
Leakage Class:	VI	
Min Room T:	down to -30°C	-22°F
Max Room T:	up to +80°C	+176°F
Min Fluid T:	fino a -40°C	-40°F
Max Fluid T:	down to +200°C	+446°F
Max ΔP :	up to 40 bar	580 psi
Characteristic:	Eq%	
Function:	2-Way	
Actuator Material:	Polyurethane-painted Fe-P04	
	Stainless Steel S30400	
Actuator Function:	Normally Closed	
	Normally Open	
Feeding Pressure:	3÷15 psi	
	6÷18 psi	
	6÷30 psi	
	9÷32 psi	
Instrumentation:	I/P Converter	
	Electro-pneumatic Positioner	
	Digital Positioner	
	Solenoid Valve	
	Lock-up valve	
	Filter-Regulator	
Certification:	PED 2014/68/EU	
	ATEX 2014/34/EU	
	EAC TRTC010 / TRTC032	



Air Consumption

Actuator [mm]	Stroke [mm]	Air Consumption [l]
200	15	0,760
275	15	1,438
360	15	2,463
430	15	3,513

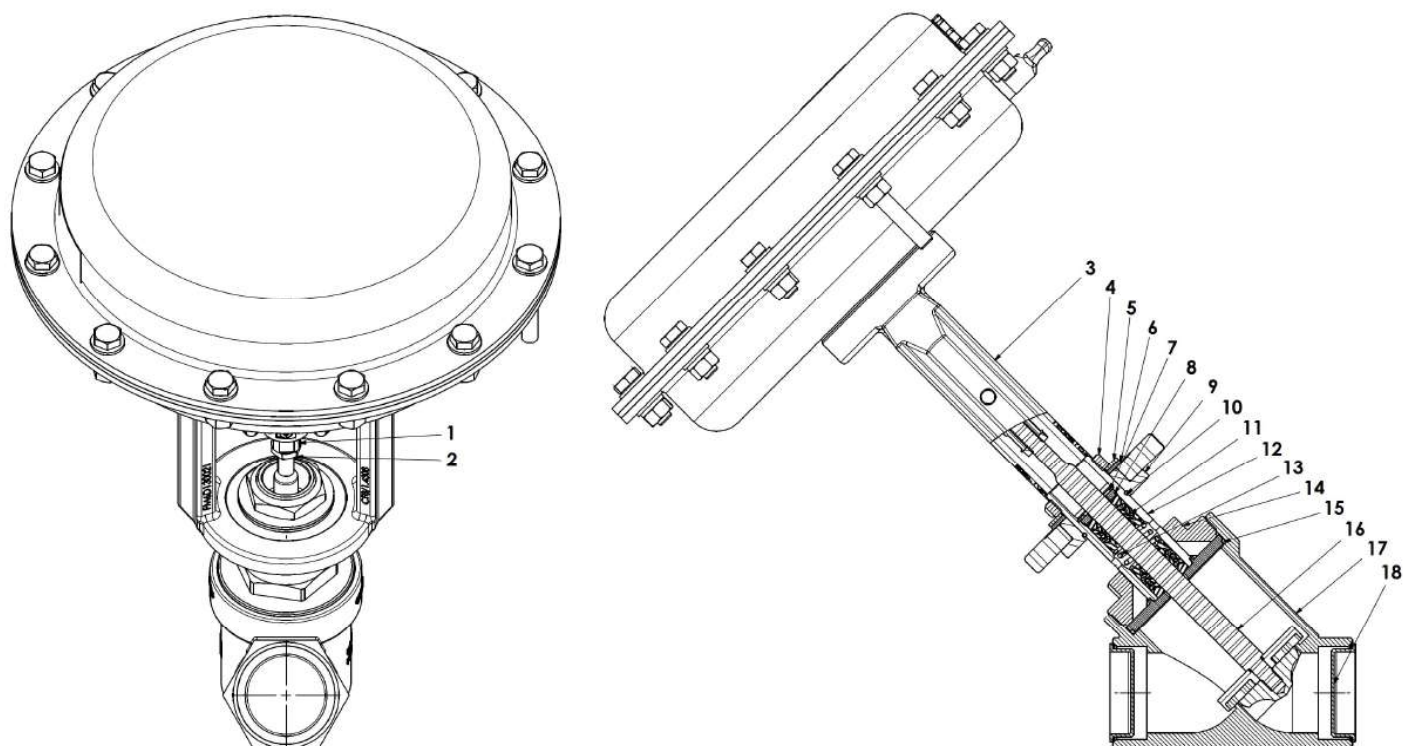


Kv / ΔP Table

		Max Differential Pressure Δp [bar] Max Differential Pressure Δp [bar]				ØAttuatore [mm] Actuator Ø [mm]	Kv Eq%	ØSede [mm] Seat Ø [mm]
DN		A	B	C	D		Cv Eq%	
		Segnale [barg] Signal [psig]					Corsa [mm] Stroke [mm]	
		0,21÷1,03 3÷15	0,41÷1,24 6÷18	0,41÷2,07 6÷30	0,62÷2,21 9÷32	15		
8	01	40	40	40	40	200	1,2 1,4	8
10	02	40	40	40	40	200	2,3 2,6	11
15	03	16	34	34	40	200	4,5	15
	04	40	40	40	40	275	5,2	
20	05	9,5	19	19	25	200	8,5	20
	06	24	40	40	40	275	9,9	
25	08	6	12	12	16	200	11,3 13,1	25
	09	15	32	32	36	275		
	10	30	40	40	40	360		
32	11	4	7,5	7,5	13	200	18,9 22,0	32
	12	9	19	19	22	275		
	13	18	39	39	40	360		
40	14	2,5	5	5	6,5	200	22,3 25,9	40
	15	6	12	12	14	275		
	16	12	25	25	29	360		
	17	13	25	25	35	430		
50	18	1,5	3	3	4	200	43,4 50,3	50
	19	4	8	8	12	275		
	20	7,5	16	16	18	360		
	21	8	16	16	23	430		
65	23	2,5	8	8	9	275	61,8 71,7	65
	24	4,5	9,5	9,5	11	360		
	25	5	9,5	9,5	13,5	430		

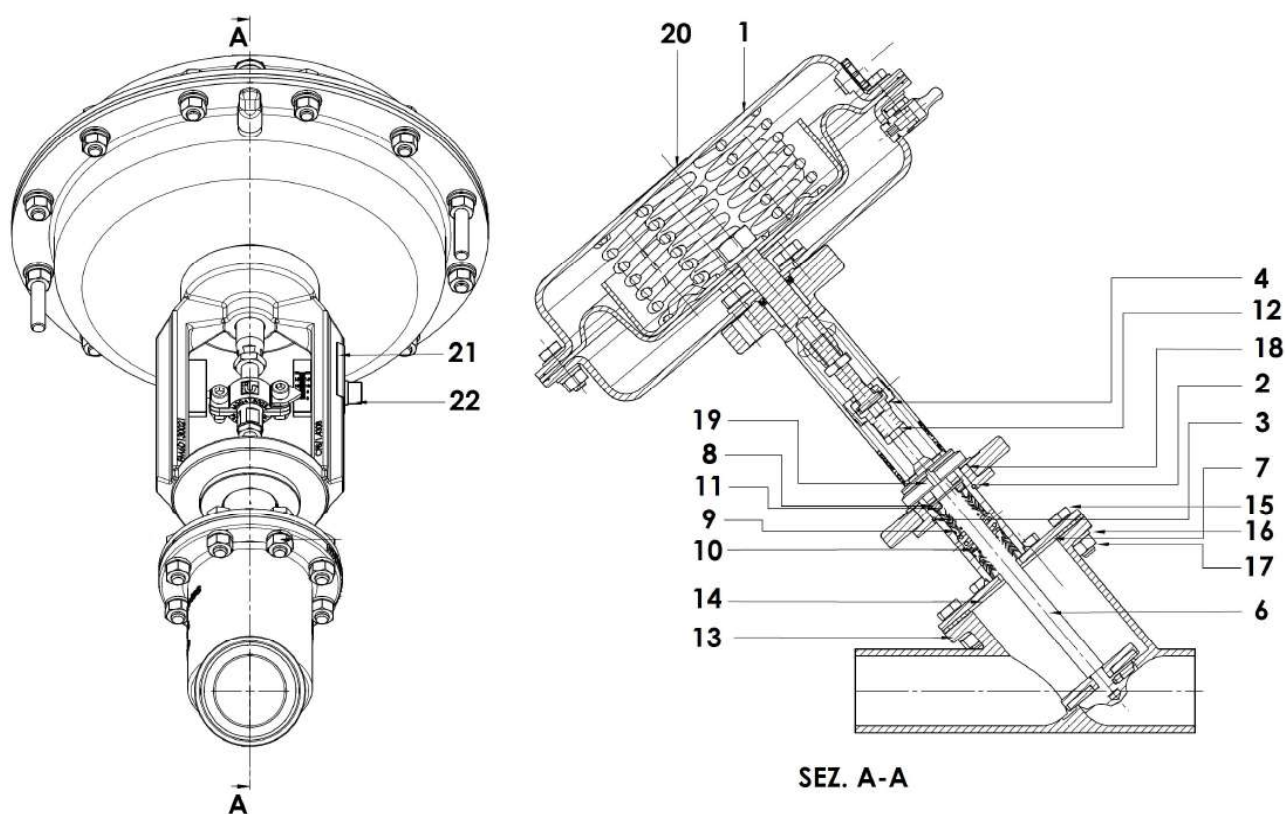
*Limited by body rating

Materials – FFF/REG



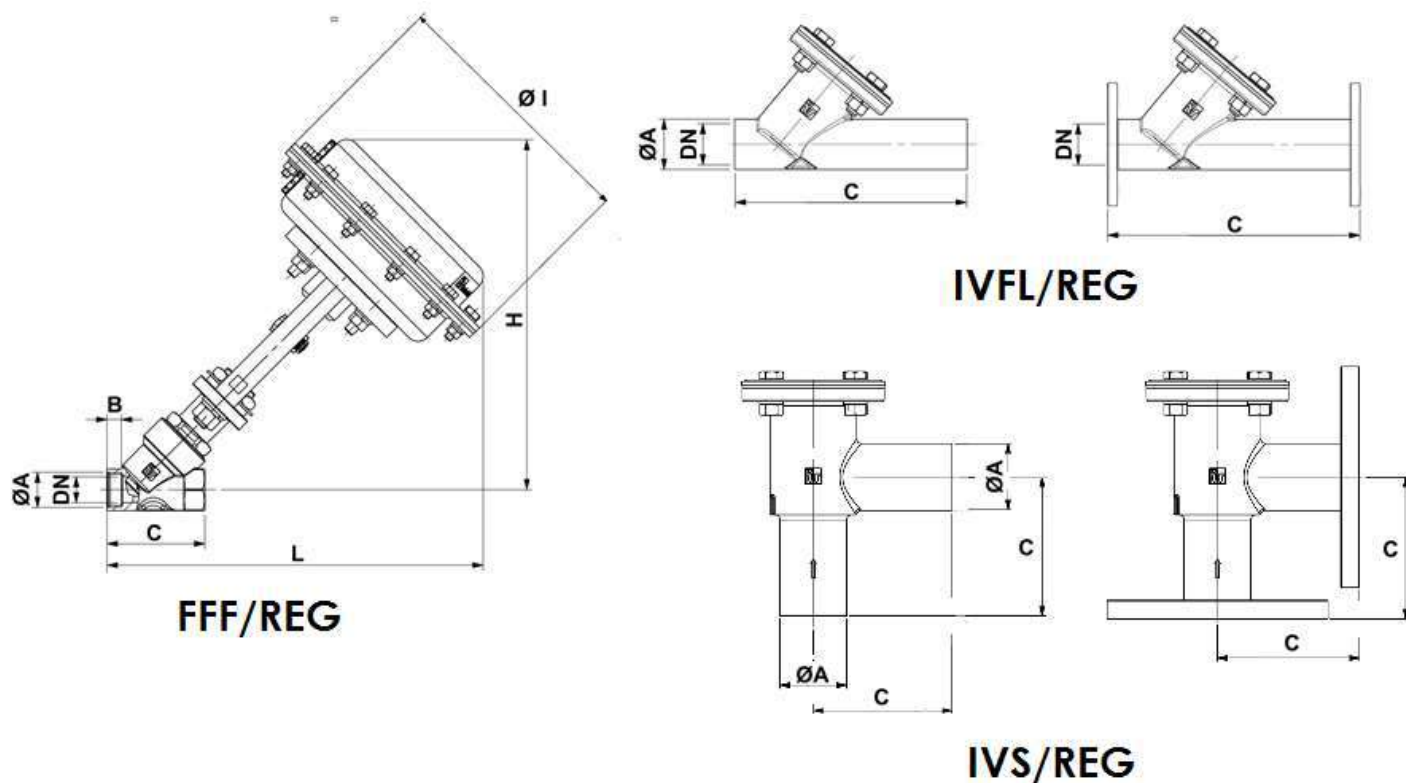
POS.	DESCRIPTION	MATERIAL	
1	Adjusting Screw	SS304	
2	Hexagonal Nut	SS304	
3	Actuator	Fe P04 verniciato	SS304
4	Hexagonal Nut	SS304	
5	Elastic Washer	Harmonic Steel	
6	Washer	SS304	
7	Seeger Ring	SS304	
8	Washer	A105	
9	Yoke Washer	SS304	
10	Shoulder Ring	Harmonic Steel	
11	Packing	PTFE / PTFE+Graphite	
12	Intermediate Body	SS316L / SS304	
13	Spring	SS304	
14	Locking Screw	SS304	
15	Body Gasket	FASIT 400	
16	Plug	AISI 316 + PTFE	
		AISI + EPDM HT coated PTFE	
		AISI 316 + EPDM HT	
17	Body	A351 CF8M	
18	Tap	PE	

Materials – IVFL/REG – IVS/REG



POS.	DESCRIPTION	MATERIAL	
1	Actuator	Fe P04 verniciato	SS304
2	Yoke Washer	SS304	
3	Shoulder Ring	Harmonic Steel	
4	Adjusting Screw	SS304	
6	Plug	AISI 316 + PTFE	
		AISI + EPDM HT riv. PTFE	
		AISI 316 + EPDM HT	
7	Intermediate Body	SS316L / SS304	
8	Seeger Ring	SS304	
9	Packing	PTFE / PTFE+Grafito	
10	Spring	SS316	
11	Yoke Washer	A105	
12	Nut	SS304	
13	Body	A351 CF8M	
14	Body Gasket	FASIT 400	
15	Screw	SS304	
16	Elastic Washer	SS304	
17	Hexagonal Nut	SS304	
18	Elastic Washer	SS304	
19	Self-Locking Bushing	SS304	
20	Data Label	SS316L	
21	Grounding Label	SS304	
22	Screw	SS304	

Dimensions



DN	ØA			B		C					
	FFF/REG		IVFL/REG			IVS/REG	FFF/REG		IVFL/REG		IVS/REG
	BSPP-NPT	SW	BW	BSPP-NPT	SW	BSPP-NPT	SW	BW	Flange	BW	Flange
8	1/4"	14	13,7	8	10	65	105	-	35	-	-
10	3/8"	17,5	17,2	8	10	65	105	-	35	-	-
15	1/2"	22	21,3	8	11	65	146	130	68	70	70
20	3/4"	27,5	26,9	9	12	75	146	150	68	70	70
25	1"	34	33,7	12	15	90	156	160	78	80	80
32	1"1/4	43	42,4	14	17	110	176	180	88	90	90
40	1"1/2	49	48,3	14	17	120	196	200	98	100	100
50	2"	61	60,3	16	19	150	226	230	113	115	115
65	2"1/2	77	76,1	26	28	185	290	290	130	130	130

DN	Ø I	L				H				Ch
		200	275	360	430	200	275	360	430	
8	According with choice of actuator	285				267	298,5			27
10		285				267	298,5			27
15		285	316,5			267	298,5			27
20		288,5	320	347,5		268,5	300	327,5		32
25		302,5	334	361,5		276	307,5	335		39
32		324	355,5	383	420	289	320,5	348	385	49
40		328	359,5	387	424	294	325,5	353	390	55
50		343	374,5	402	439	305	336,5	364	401	68
65		413	444	474	510	361	395	423	460	88

Legenda descrizioni codici

FFF/REG	B08	T200	06÷18	DN025	CF8M	PN16	PK	E	C20	2VNC
SERIE		Ø ATTUATORE		DN		CONNESSIONI		CARATTERISTICA		FUNZIONE
FFF/REG		T200 d.200mm		DN015		BSPG GAS		L Lineare		2VNC 2 vie NC
IVFL/REG		T275 d.275mm		DN020		NPT NPT		E EQ%		2VNA 2 vie NA
IVS/REG		T360 d.360mm		÷		BW Saldare testa				
		T430 d.430mm		DN065		SW Saldare tasca				
		T530 d.530mm				PN16 EN1092-1 PN16				
	CODICE TABELLA		SEGNALE		MATERIALE	PN40 EN1092-1 PN40				
	PAG. 4		03÷15 3÷15 psi		CF8M CF8M	CL-I Clamp ISO	TENUTA		CORSA	
			06÷18 6÷18 psi			CL-D Clamp DIN	E EPDM		C15 15 mm	
			06÷30 6÷30 psi			RID Flange ridotte	PTFE PTFE		C20 20 mm	
			09÷32 9÷32 psi				PK PEEK			
			20÷40 20÷40 psi							

OPTIONAL	
OPTIONAL	
V	Volantino manuale
PACK	Pacco premist. (speciale)
GC	Guarniz. corpo (speciale)
ATEX	II 2 G Ex h IIC Tx Gb X II 2 D Ex h IIIC Tx Db X

VERSIONI	
VERSIONI	
-Ossigeno	Uso ossigeno
-Vuoto	Uso vuoto



M A D E I N I T A L Y

ITALVALVOLE S.a.s. di Spadon Oscar & C.

Via Amendola, n. 125

13836 Cossato (BI)

ITALY

Tel.: +39 015980641

Fax: +39 015926297

Email: info@italvalvole.com

Web: www.italvalvole.com

VAT Nr: IT 00221520026

